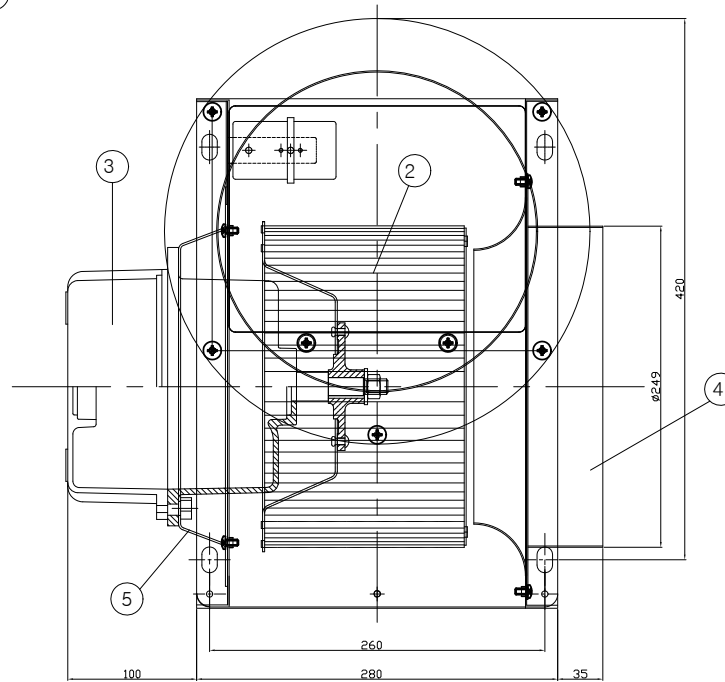
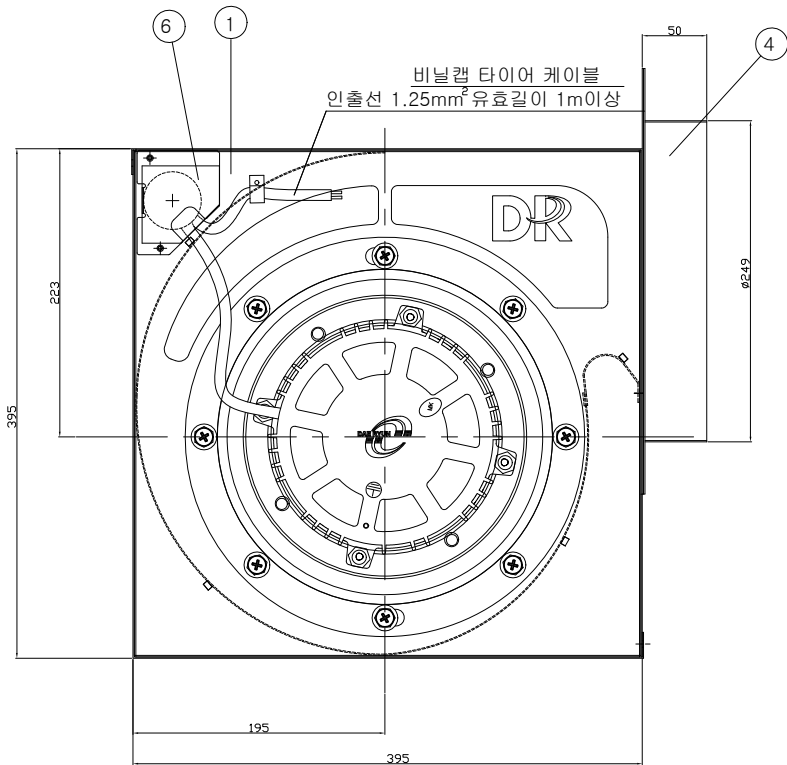


ITEM	Location	-	
	Service	-	
	Equip No.	-	
	Fan Model	DR-F29FSA	
F A N		MOTOR (60 Hz)	
AIR VOLUME	-	m ³ /min	POWER 1.5 Kw
STATIC PRESSURE	SUC -	mmAq	VOLTAGE 220 V
	DIS -	mmAq	PHASE 1 Ph
OPERATING FLUID AIR	(At)20°C		POLSE 4 P
REVOLUTION	1685	R.P.M	REVOLUTION 1685 R.P.M
BEARING	in side	-	PULLEY fan -ty -p -"
	out side	-	
COLOR	casing	-	
	belt cover	-	
QUANTITY	EA	V-VELT LENGTH	- "



ITEM NO.	NOMENCLATURE	MATERIAL	SIZE	QUAN'T	REMARK
6	Condensor Fix Cover	PVC		1	
5	Motor Support	SPCC		1	
4	Duct Flange	SPCC		2	
3	Motor		4P 2Hp	1	
2	Impeller	SPCC		1	
1	Casing	SPCC		1	

SCALE		DWG. BY DES'N BY CH'D BY APPROVE		PROJECT		-
UNIT		Lee j.s		CUSTOMER		-
NO.		DATE		REVISION & DESCRIPTION		REVIEWED
DWG DATE : 2020.04.14		DWG CODE		-		

대륜산업(주) Small Sirocco Fan