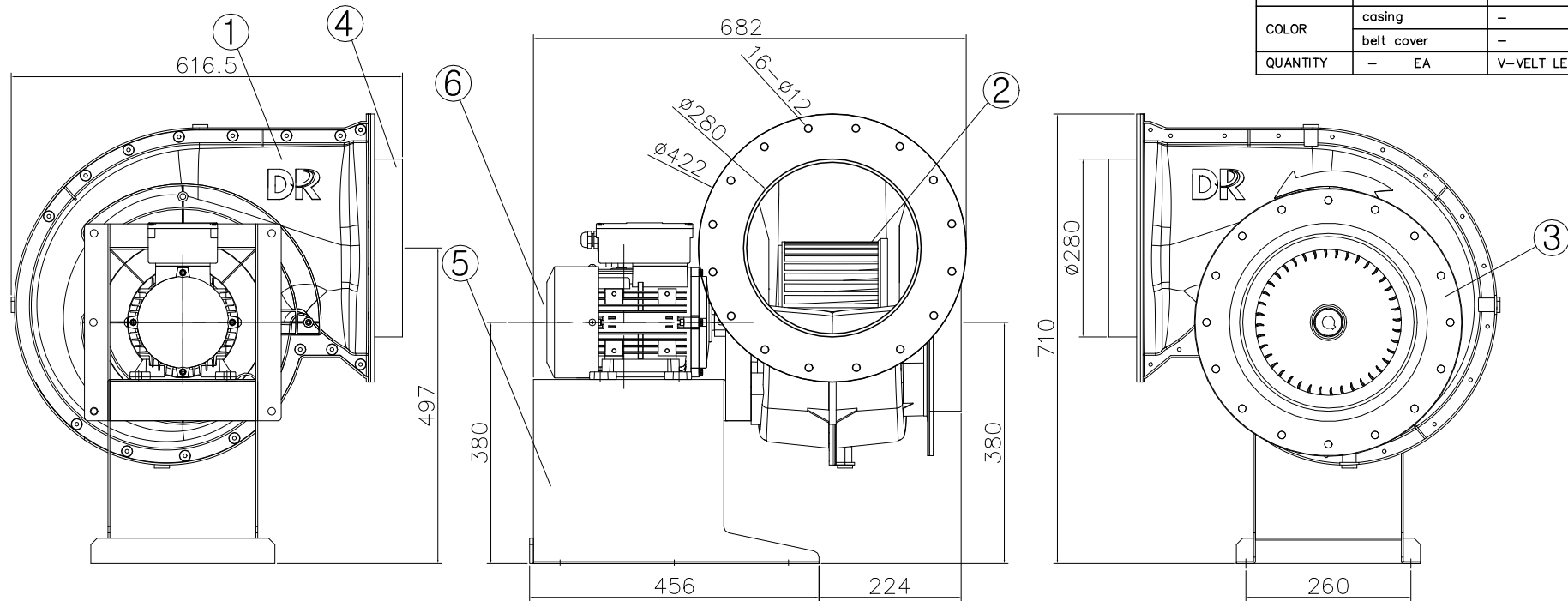


ITEM	Location	-	
	Service	-	
	Equip No.	-	
	Fan Model	DR-FF302SA	
F A N		MOTOR ( 60Hz)	
AIR VOLUME	-	m <sup>3</sup> /min	POWER 1.5 Kw
STATIC	SUC	- mmAq	VOLTAGE 220 V
PRESSURE	DIS	- mmAq	PHASE 1 Ph
OPERATING FLUID AIR (At)20°C			PULSE 4 P
REVOLUTION	1730	R.P.M	REVOLUTION 1730 R.P.M
BEARING	in side	-	fan -ty -p -"
	out side	-	motor -ty -p -"
COLOR	casing	-	
	belt cover	-	
QUANTITY	-	EA	V-VELT LENGTH - "



7	-	-	-	-
6	Motor	4P 2HP	-	-
5	Motor Support	SPHC	1	-
4	Duct Flange	PVC	2	-
3	Motor	PP/GF	1	-
2	Impeller	PA/GF	1	-
1	Casing	PP/GF	1	-

ITEM NO.	NOMENCLATURE	MATERIAL	SIZE	QUAN'T	REMARK
	대륜산업(주)		FRP Sirocco Fan		
	SCALE N/S	DWG. BY DES'N BY CHD BY APPROVE	PROJECT	-	
	UNIT mm	K.O.M K.O.M	CUSTOMER	-	
NO.	DATE	REVISION & DESCRIPTION	REVIEWED	CHECKED	DWG DATE : 2020.06.29
					DWG CODE -