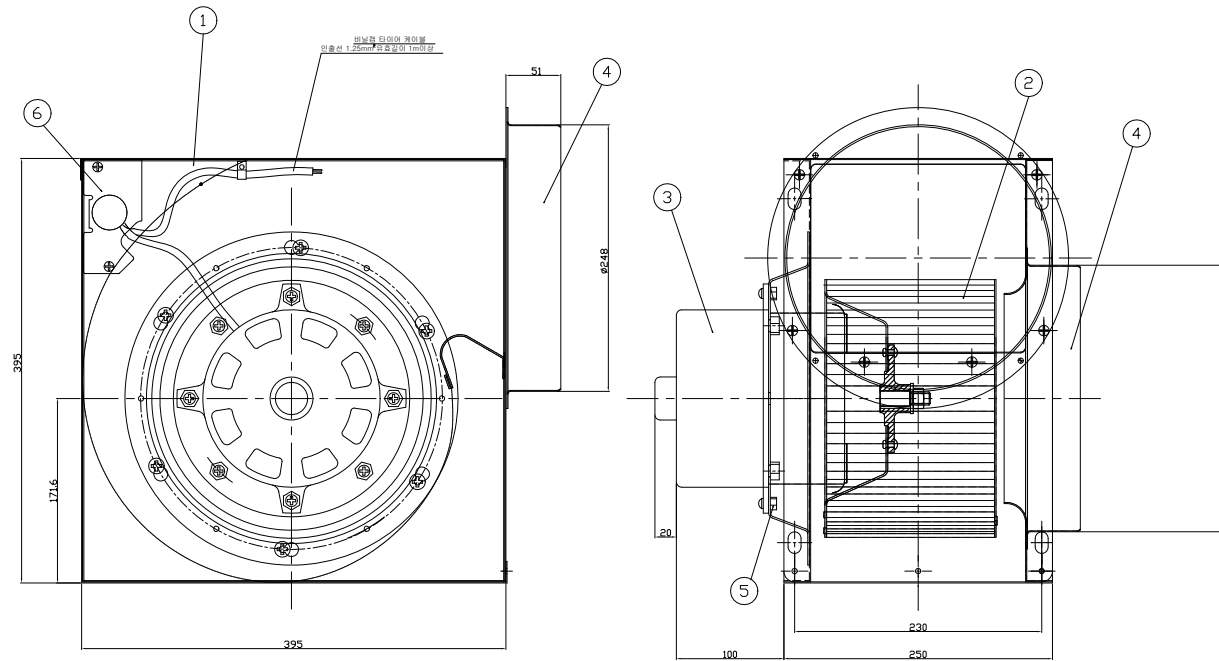


ITEM	Location	-	
	Service	-	
	Equip No.	-	
	Fan Model	DR-GS25DTA	
F A N		MOTOR (60 Hz)	
AIR VOLUME	-	m ³ /min	POWER 0.38 Kw
STATIC PRESSURE	SUC -	mmAq	VOLTAGE 220/380 V
	DIS -	mmAq	PHASE 3 Ph
OPERATING FLUID AIR	(At)20°C		POLSE 6 P
REVOLUTION	1130	R.P.M	REVOLUTION 1130 R.P.M
BEARING	in side	-	PULLEY fan - ty - p - "
	out side	-	
COLOR	casing	-	
	belt cover	-	
QUANTITY	EA	V-VELT LENGTH	- "



12					
11					
7					
6	Condensor Fix Cover	PVC		1	
5	Motor Support	SUS		1	
4	Duct Flange	SUS		2	
3	Motor		6P 1/2Hp	1	
2	Impeller	SUS		1	
1	Casing	SUS		1	
ITEM NO.	NOMENCLATURE	MATERIAL	SIZE	QUAN'T	REMARK

		대륜산업(주)		Small Sirocco Fan	
SCALE	DWG. BY	DES'N BY	CH'D BY	APPROVE	PROJECT
N/S	Lee j.s				-
UNIT					CUSTOMER
mm					-
NO.	DATE	REVISION & DESCRIPTION	REVIEWED	CHECKED	DWG DATE : 2020.04.14
					DWG CODE
					-