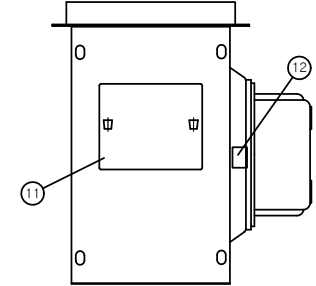
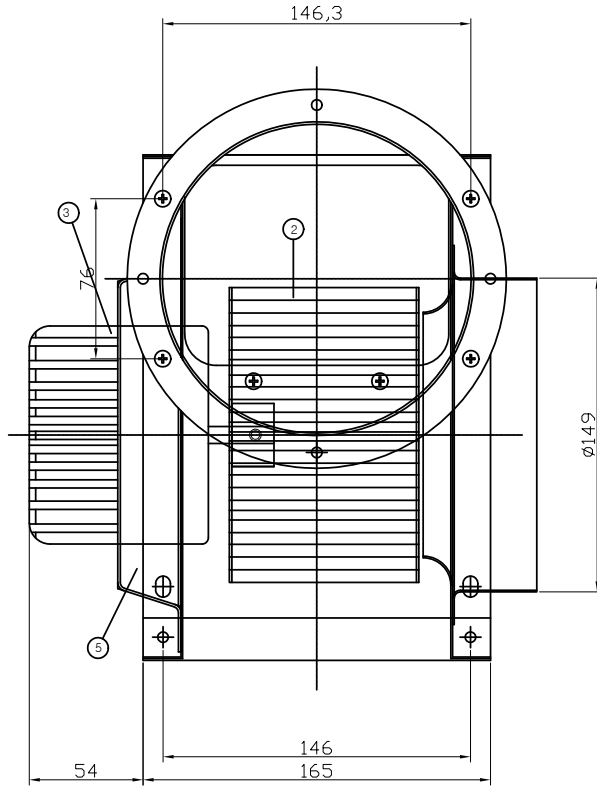
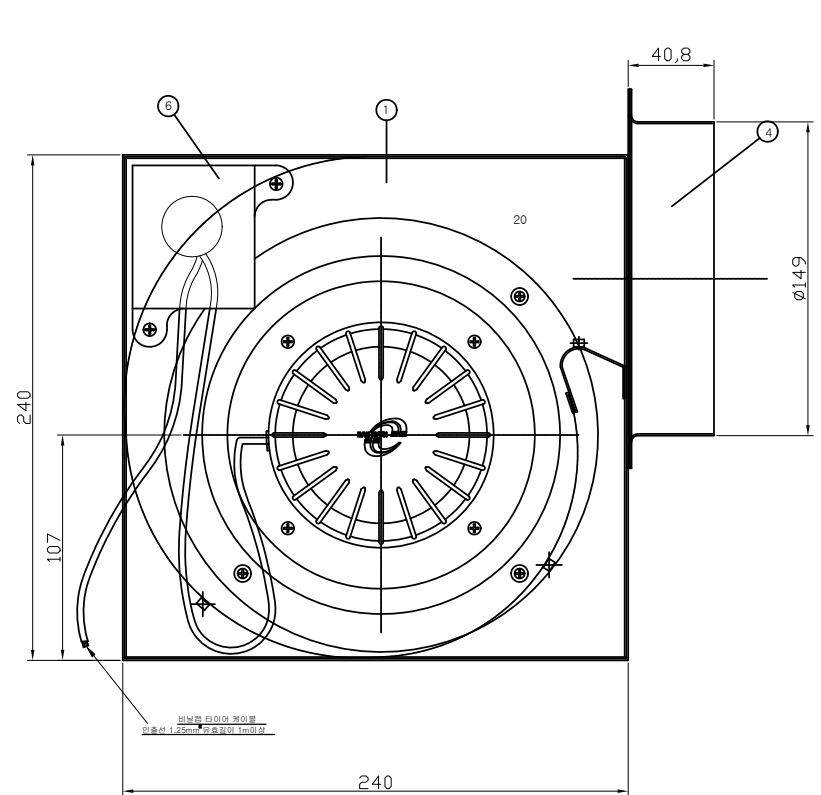


ITEM	Location	-			
	Service	-			
	Equip No.	-			
	Fan Model	DR-F15CSB			
F A N		MOTOR (60 Hz)			
AIR VOLUME	-	m ³ /min	POWER	0.1 Kw	
STATIC	SUC	-	mmAq	VOLTAGE	220 V
PRESSURE	DIS	-	mmAq	PHASE	1 Ph
OPERATING FLUID AIR		(At)20°C		POLSE	4 P
REVOLUTION		1610 R.P.M		REVOLUTION	1610 R.P.M
BEARING	in side	-	PULLEY	fan -ty -p -"	
	out side	-		motor -ty -p -"	
COLOR	casing	-			
	belt cover	-			
QUANTITY	-	EA	V-VELT LENGTH	-"	



스티커 부착위치 상세

*** NOTE ***
 1. 2은 동, 정 밸런스를 정확히하며
 오차범위는 0.5g이하로 한다.
 2. 3의 축은 균형, 횡등을
 방지해야한다.
 배어링:종이종 배어링사용
 (전 6203ZZ)(후 6202ZZ)

12	Test Certificate Sticker			1	
11	Producter Sticker			1	
6	Condenser Fix Cover	SPCC		1	
5	Motor Support	SPCC		1	
4	Duct Flange	SPCC		2	
3	Motor		4P 1/8Hp	1	
2	Impeller	SPCC		1	
1	Casing	SPCC		1	
ITEM NO.	NOMENCLATURE	MATERIAL	SIZE	QUAN'T	REMARK

		대륜 산업 (주)			Small Sirocco Fan	
SCALE	N/S	DWG. BY	DES'N BY	CH'D BY	APPROVE	PROJECT
UNIT	mm	Lee	j.s			CUSTOMER
NO.	DATE	REVISION & DESCRIPTION			REVIEWED	CHECKED
		DWG DATE : 2020.04.14			DWG CODE	