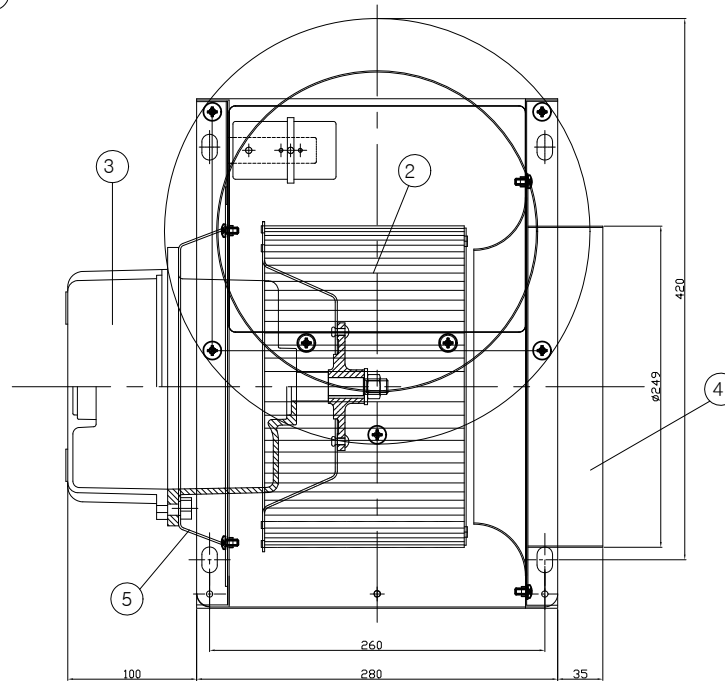
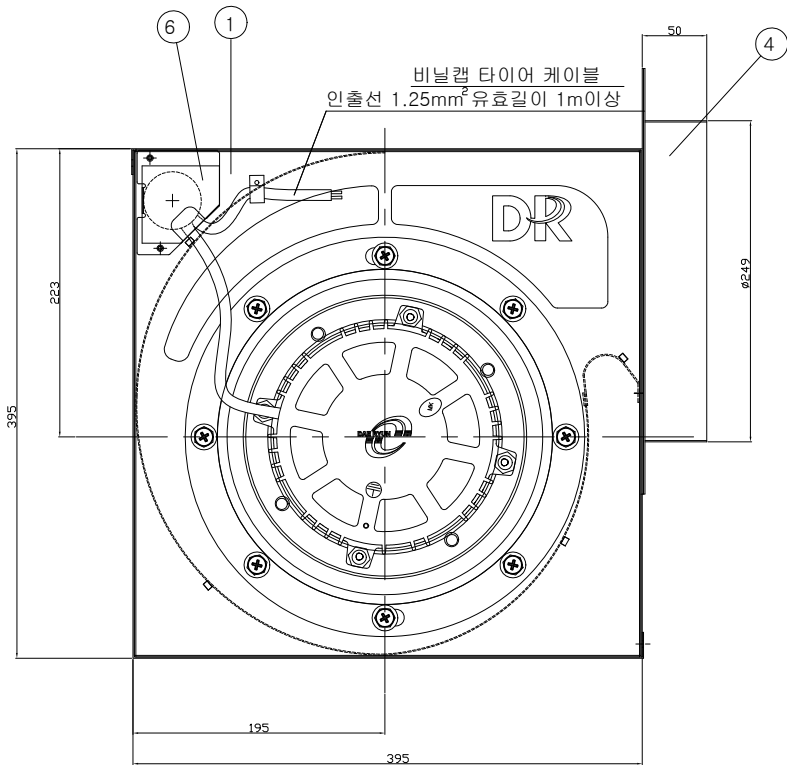


ITEM	Location	-	
	Service	-	
	Equip No.	-	
	Fan Model	DR-F29FTA	
F A N		MOTOR (60 Hz)	
AIR VOLUME	-	m ³ /min	POWER 1.5 Kw
STATIC PRESSURE	SUC	- mmAq	VOLTAGE 220/380 V
	DIS	- mmAq	PHASE 3 Ph
OPERATING FLUID AIR	(At)20°C		POLSE 4 P
REVOLUTION	1700	R.P.M	REVOLUTION 1700 R.P.M
BEARING	in side	-	PULLEY fan -ty -p -" motor -ty -p -"
	out side	-	
COLOR	casing	-	
	belt cover	-	
QUANTITY	EA	V-VELT LENGTH	- "



ITEM NO.	NOMENCLATURE	MATERIAL	SIZE	QUAN'T	REMARK
6	Condensor Fix Cover	PVC		1	
5	Motor Support	SPCC		1	
4	Duct Flange	SPCC		2	
3	Motor		4P 2Hp	1	
2	Impeller	SPCC		1	
1	Casing	SPCC		1	

SCALE		DWG. BY DES'N		BY CH'D BY		APPROVE		PROJECT		-
UNIT		Lee j.s						CUSTOMER		-
NO.		DATE		REVISION & DESCRIPTION		REVIEWED		CHECKED		DWG CODE
		2020.04.14								-

대륜산업(주) Small Sirocco Fan

DWG. BY DES'N BY CH'D BY APPROVE

PROJECT -

CUSTOMER -

DWG DATE : 2020.04.14 DWG CODE -