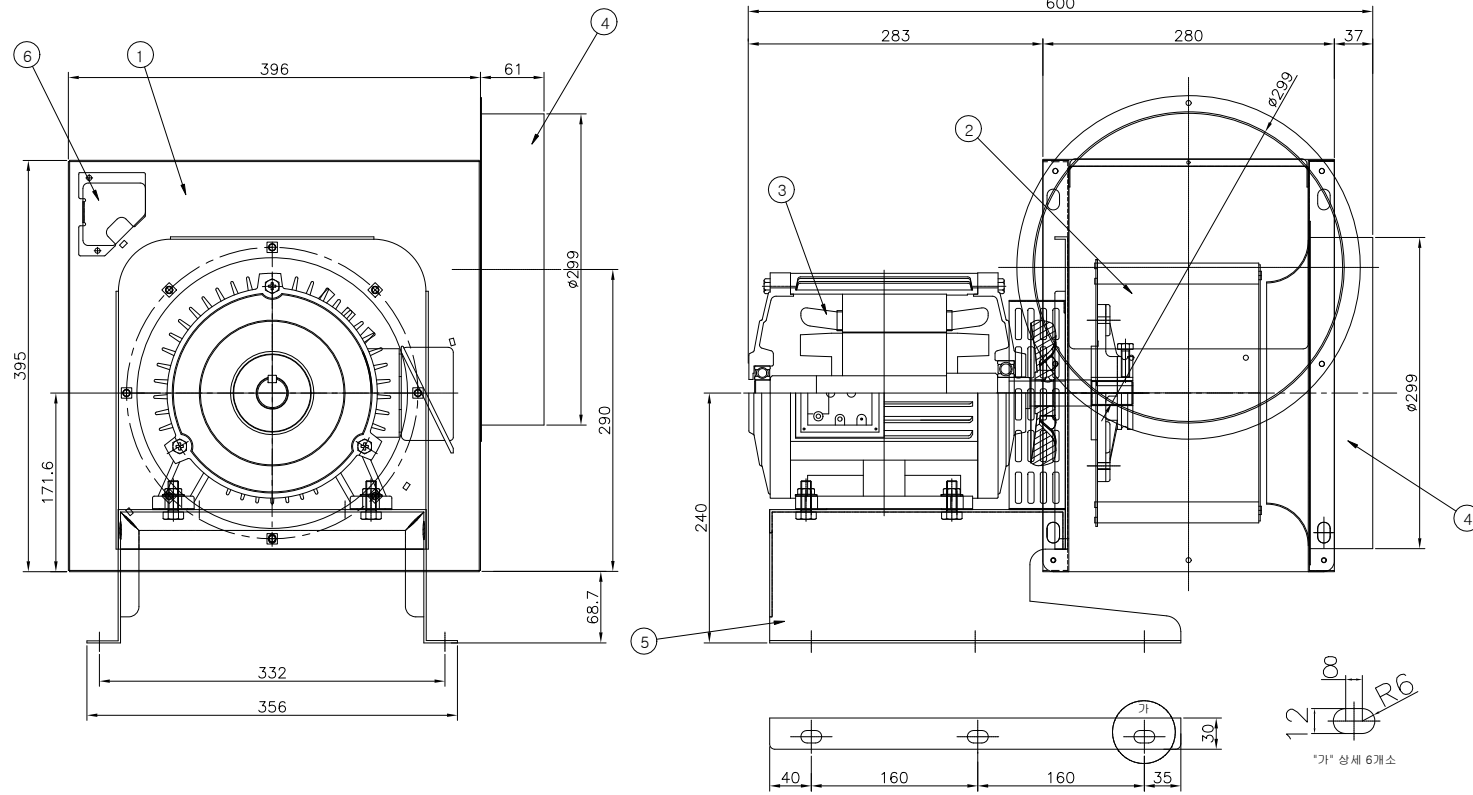


| | | | |
|---------------------|------------|---------------------|-------------------------|
| ITEM | Location | - | |
| | Service | - | |
| | Equip No. | - | |
| | Fan Model | DR-F30FSB | |
| F A N | | MOTOR (60 Hz) | |
| AIR VOLUME | - | m ³ /min | POWER 1.5 Kw |
| STATIC PRESSURE | SUC - | mmAq | VOLTAGE 220 V |
| | DIS - | mmAq | PHASE 1 Ph |
| OPERATING FLUID AIR | (At)20°C | | POLSE 4 P |
| REVOLUTION | 1695 | R.P.M | REVOLUTION 1695 R.P.M |
| BEARING | in side | - | PULLEY fan - ty - p - " |
| | out side | - | |
| COLOR | casing | - | |
| | belt cover | - | |
| QUANTITY | - | EA | V-VELT LENGTH - " |



| | | | | | |
|----------|---------------------|----------|--------|--------|--------|
| 7 | - | - | - | - | |
| 6 | Condenser Fix Cover | PVC | | 1 | |
| 5 | Motor Support | SPCC | | 1 | |
| 4 | Duct Flange | SPCC | | 1 | |
| 3 | Motor | | 4P 2Hp | 1 | |
| 2 | Impeller | SPCC | | 1 | |
| 1 | Casing | SPCC | | 1 | |
| ITEM NO. | NOMENCLATURE | MATERIAL | SIZE | QUAN'T | REMARK |

| | | | | | | | | | | |
|-------|--|---------------|--|------------------------|--|----------|--|----------|--|-----------------------|
| SCALE | | DWG. BY DES'N | | BY CH'D BY | | APPROVE | | PROJECT | | - |
| UNIT | | Lee j.s | | | | | | CUSTOMER | | - |
| NO. | | DATE | | REVISION & DESCRIPTION | | REVIEWED | | CHECKED | | DWG DATE : 2020.04.14 |
| | | | | | | | | DWG CODE | | - |

대륜산업(주) Small Sirocco Fan