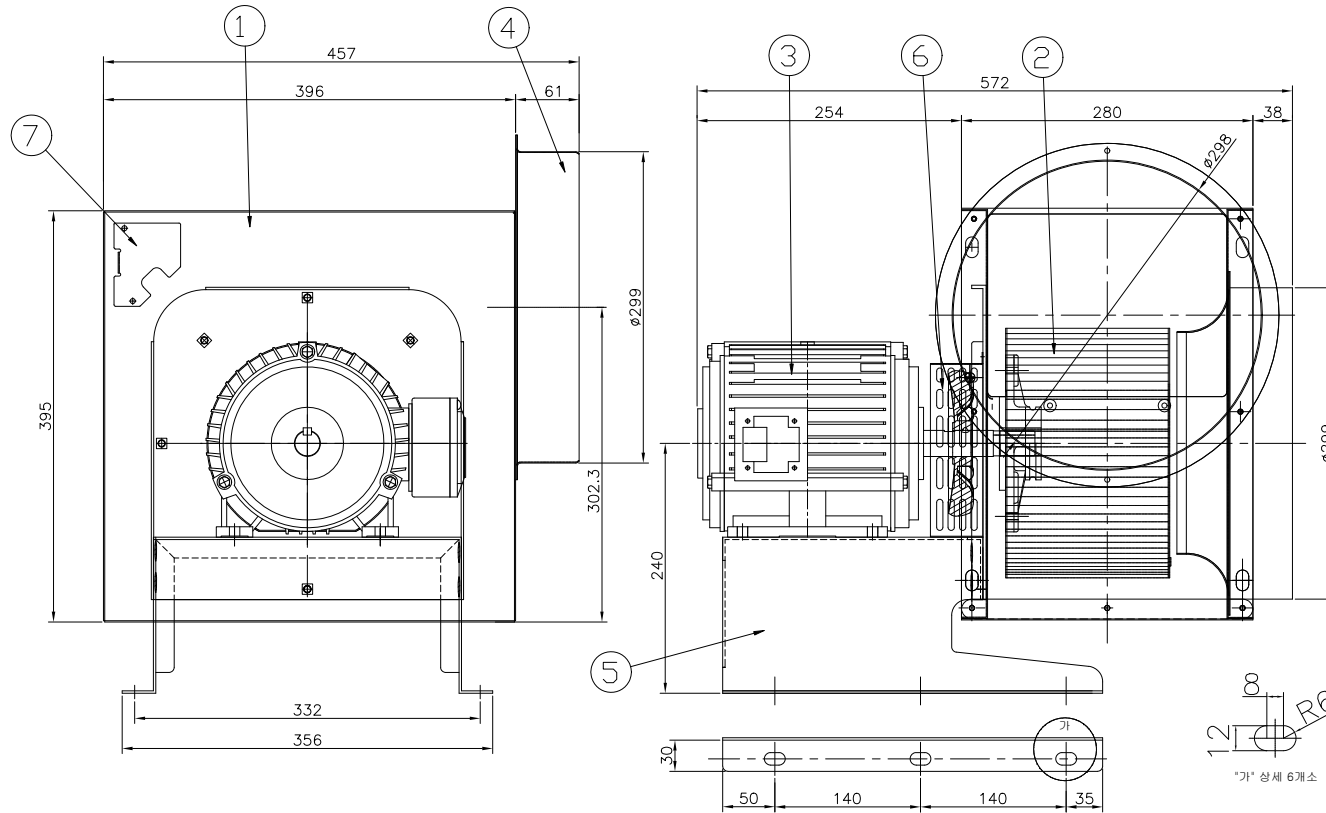


ITEM	Location	-	
	Service	-	
	Equip No.	-	
	Fan Model	DR-F30FTB	
F A N		MOTOR ( 60 Hz)	
AIR VOLUME	-	m <sup>3</sup> /min	POWER 1.5 Kw
STATIC PRESSURE	SUC	- mmAq	VOLTAGE 220/380 V
	DIS	- mmAq	PHASE 3 Ph
OPERATING FLUID AIR	(At)20°C		POLSE 4 P
REVOLUTION	1720	R.P.M	REVOLUTION 1720 R.P.M
BEARING	in side	-	PULLEY fan - ty - p - "
	out side	-	
COLOR	casing	-	
	belt cover	-	
QUANTITY	-	EA	V-VELT LENGTH - "



7	Condensor Fix Cover	PVC		1	
6	Cooling Fan	ALDC		1	
5	Motor Support	SPCC		1	
4	Duct Flange	SPCC		1	
3	Motor		4P 2Hp	1	
2	Impeller	SPCC		1	
1	Casing	SPCC		1	
ITEM NO.	NOMENCLATURE	MATERIAL	SIZE	QUAN'T	REMARK

		<b>대륜산업(주)</b>		Small Sirocco Fan	
SCALE	DWG. BY	DES'N BY	CH'D BY	APPROVE	PROJECT
N/S	Lee j.s				CUSTOMER
UNIT					DWG CODE
mm					-
NO.	DATE	REVISION & DESCRIPTION	REVIEWED	CHECKED	DWG DATE : 2020.04.14