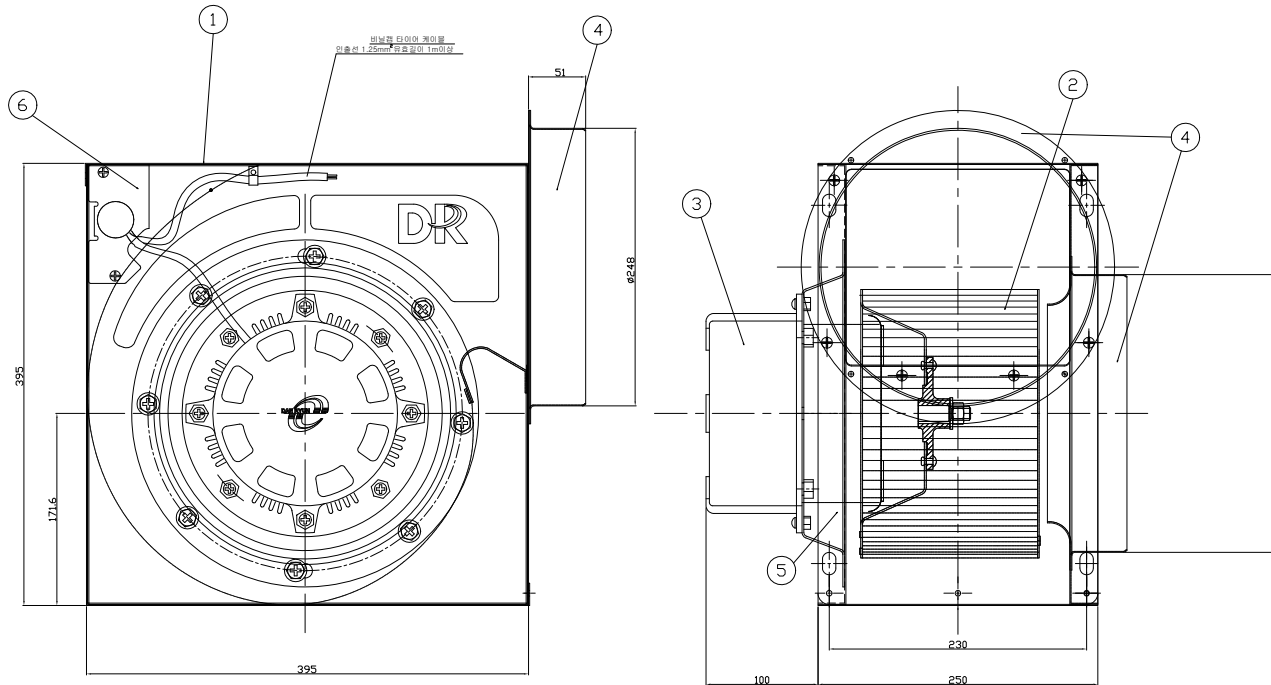


ITEM	Location	-	
	Service	-	
	Equip No.	-	
	Fan Model	DR-G28FSA	
F A N		MOTOR ( 60 Hz)	
AIR VOLUME	-	m <sup>3</sup> /min	POWER 0.52 Kw
STATIC PRESSURE	SUC	- mmAq	VOLTAGE 220 V
	DIS	- mmAq	PHASE 1 Ph
OPERATING FLUID AIR	(At)20°C		POLSE 6 P
REVOLUTION	1125 R.P.M		REVOLUTION 1125 R.P.M
BEARING	in side	-	PULLEY fan -ty -p - "
	out side	-	
COLOR	casing	-	
	belt cover	-	
QUANTITY	EA	V-VELT LENGTH	- "



12					
11					
7					
6	Condensor Fix Cover	PVC		1	
5	Motor Support	SPCC		1	
4	Duct Flange	SPCC		2	
3	Motor		6P 2/3Hp	1	
2	Impeller	SPCC		1	
1	Casing	SPCC		1	
ITEM NO.	NOMENCLATURE	MATERIAL	SIZE	QUAN'T	REMARK

		대륜산업(주)		Small Sirocco Fan	
SCALE	N/S	DWG. BY	DES'N BY	CH'D BY	APPROVE
UNIT	mm	Lee j.s			
NO.	DATE	REVISION & DESCRIPTION	REVIEWED	CHECKED	DWG DATE : 2020.04.14
					PROJECT -
					CUSTOMER -
					DWG CODE -