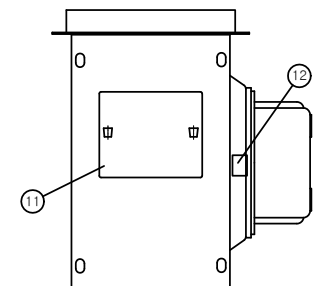
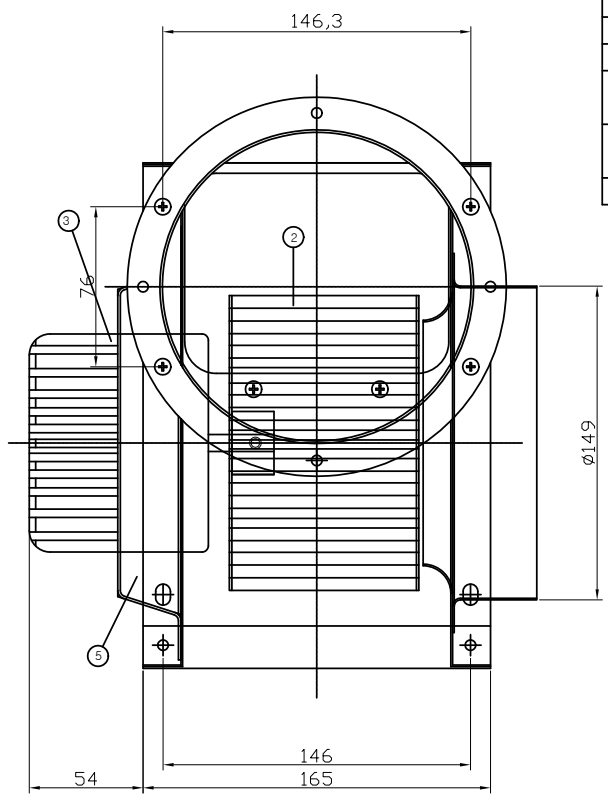
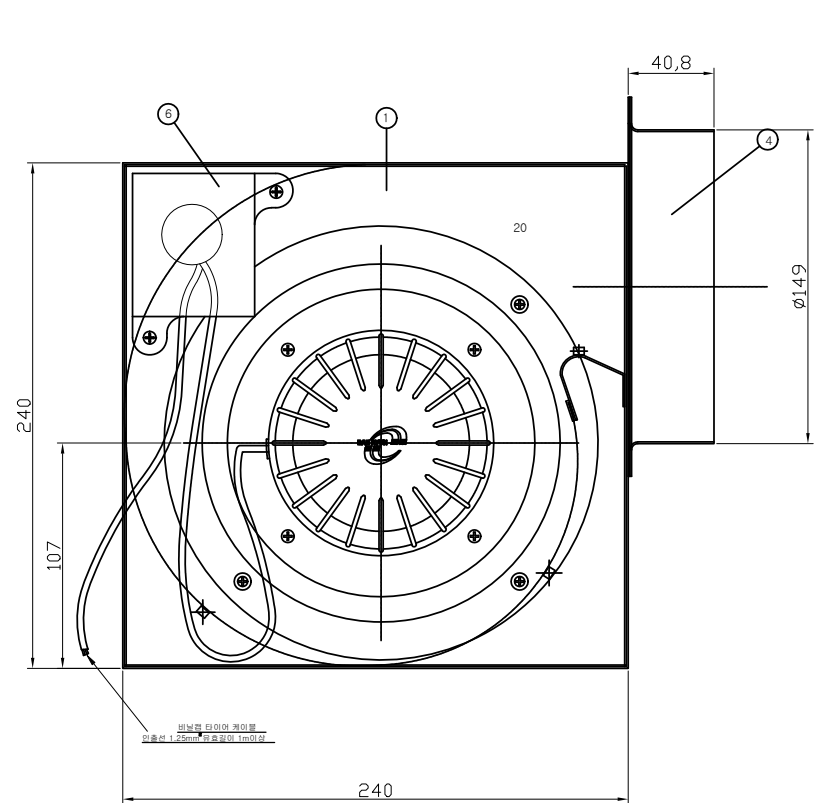


ITEM	Location	-					
	Service	-					
	Equip No.	-					
	Fan Model	DR-F15CTA					
F A N		MOTOR ( 60 Hz)					
AIR VOLUME	-	m <sup>3</sup> /min	POWER	0.1 Kw			
STATIC	SUC	-	mmAq	VOLTAGE	220/380 V		
PRESSURE	DIS	-	mmAq	PHASE	3 Ph		
OPERATING FLUID AIR (At)20°C				POLSE	4 P		
REVOLUTION		1500	R.P.M	REVOLUTION		1500	R.P.M
BEARING	in side	-	PULLEY	fan	-ty -p -"		
	out side	-		motor	-ty -p -"		
COLOR	casing	-					
	belt cover	-					
QUANTITY	-	EA	V-VELT LENGTH	-	"		



스티커 부착위치 상세

**\* NOTE \***  
 1. 2은 동적 밸런스를 정확히하며  
 오차범위는 0.5g이하로 한다.  
 2. 3의 축은 급침, 횡등을  
 방지해야한다.  
 배어링:종이종 배어링사용  
 (전 6203ZZ)(후 6202ZZ)

12	Test Certificate Sticker			1	
11	Producter Sticker			1	
6	Condenser Fix Cover	SPCC		1	
5	Motor Support	SPCC		1	
4	Duct Flange	SPCC		2	
3	Motor		4P 1/8Hp	1	
2	Impeller	SPCC		1	
1	Casing	SPCC		1	
ITEM NO.	NOMENCLATURE	MATERIAL	SIZE	QUAN'T	REMARK

		대륜산업(주)			Small Sirocco Fan		
SCALE	N/S	DWG. BY	DES'N BY	CH'D BY	APPROVE	PROJECT	-
UNIT	mm	Lee j.s				CUSTOMER	-
NO.	DATE	REVISION & DESCRIPTION	REVIEWED	CHECKED	DWG DATE : 2020.04.14	DWG CODE	-