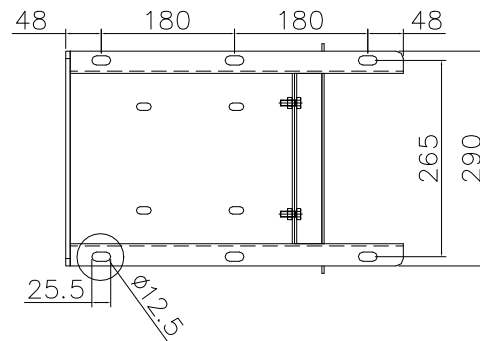
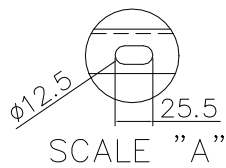
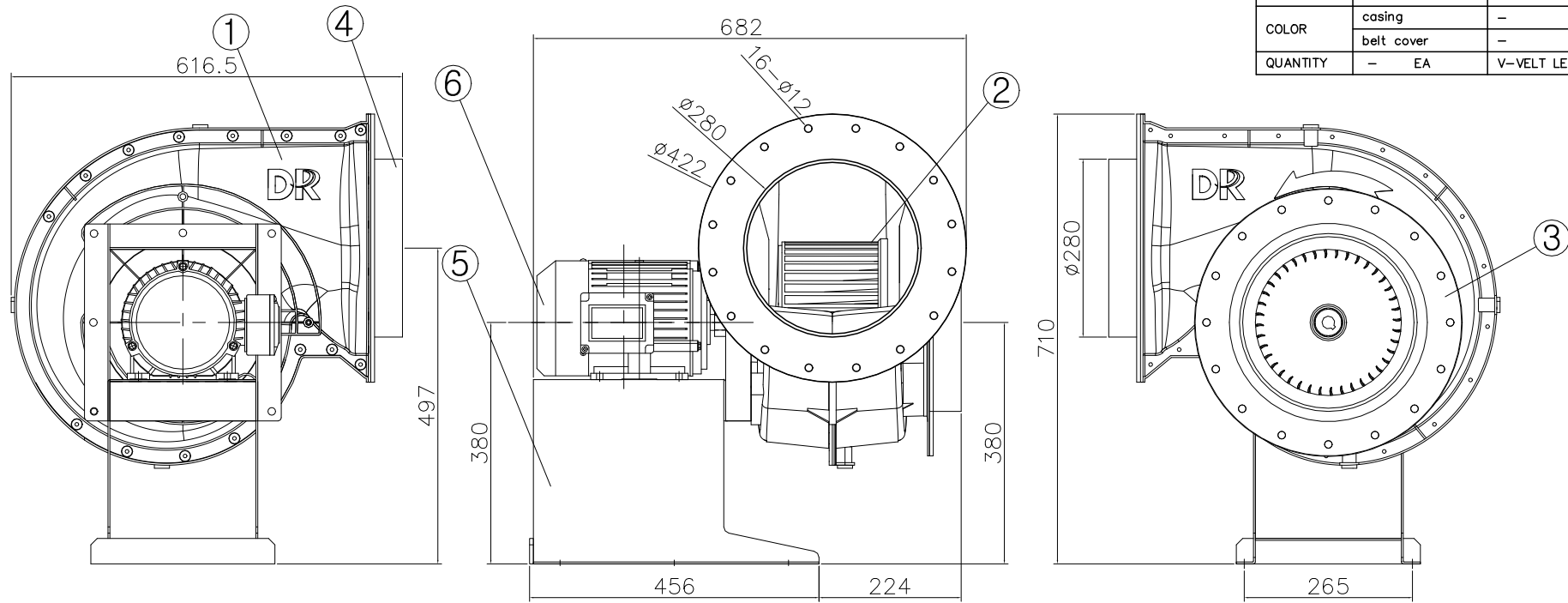


ITEM	Location	-	
	Service	-	
	Equip No.	-	
	Fan Model	DR-FF302TA	
F A N		MOTOR (60Hz)	
AIR VOLUME	-	m ³ /min	POWER 1.5 Kw
STATIC	SUC	- mmAq	VOLTAGE 380 V
PRESSURE	DIS	- mmAq	PHASE 3 Ph
OPERATING FLUID AIR (At)20°C		POLSE 4 P	
REVOLUTION	1730	R.P.M	REVOLUTION 1730 R.P.M
BEARING	in side	-	fan -ty -p -"
	out side	-	motor -ty -p -"
COLOR	casing	-	
	belt cover	-	
QUANTITY	-	EA	V-VELT LENGTH - "



7	-	-	-	-
6	Motor	4P 2HP	-	-
5	Motor Support	SPHC	1	-
4	Duct Flange	PVC	2	-
3	Motor	PP/GF	1	-
2	Impeller	PA/GF	1	-
1	Casing	PP/GF	1	-

ITEM NO.	NOMENCLATURE	MATERIAL	SIZE	QUAN'T	REMARK
----------	--------------	----------	------	--------	--------

		대륜산업(주)		FRP Sirocco Fan	
SCALE	N/S	DWG. BY	DES'N BY	CH'D BY	APPROVE
UNIT	mm	K.O.M	K.O.M		
NO.	DATE	REVISION & DESCRIPTION	REVIEWED	CHECKED	DWG DATE : 2020.06.29
					CUSTOMER -
					DWG CODE -