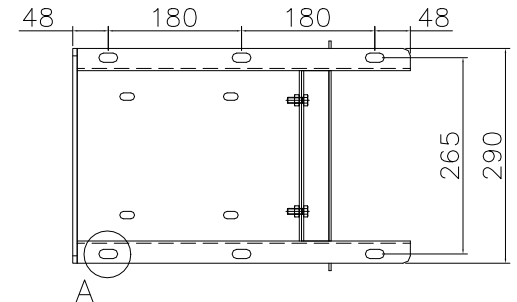
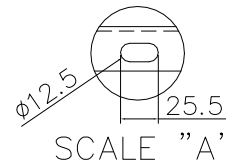
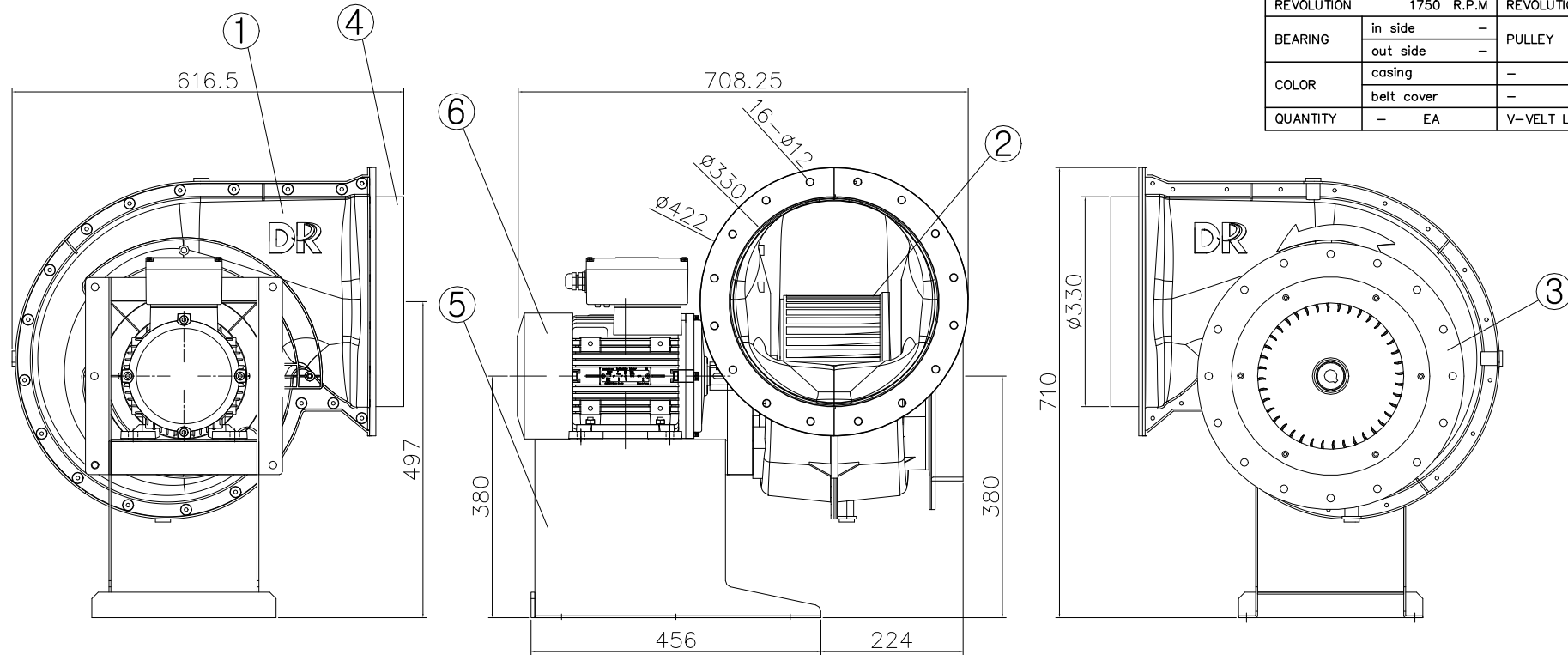


ITEM	Location	-	
	Service	-	
	Equip No.	-	
	Fan Model	DR-FF303SA	
F A N		MOTOR ( 60Hz)	
AIR VOLUME	-	m <sup>3</sup> /min	POWER 2.2 Kw
STATIC	SUC	- mmAq	VOLTAGE 220 V
PRESSURE	DIS	- mmAq	PHASE 1 Ph
OPERATING FLUID AIR	(At)20°C	POLSE 4 P	
REVOLUTION	1750	R.P.M	REVOLUTION 1750 R.P.M
BEARING	in side	-	fan -ty -p -"
	out side	-	motor -ty -p -"
COLOR	casing	-	
	belt cover	-	
QUANTITY	-	EA	V-VELT LENGTH - "



7	-	-	-	-
6	Motor	4P 3HP	-	-
5	Motor Support	SPHC	1	-
4	Duct Flange	PVC	2	-
3	BELL MOUTH	PP/GF	1	-
2	Impeller	PA/GF	1	-
1	Casing	PP/GF	1	-
ITEM NO.	NOMENCLATURE	MATERIAL	SIZE	QUAN'T
REMARK				

대륜산업(주)		FRP Sirocco Fan		
SCALE N/S	DWG. BY	DES'N BY	CH'D BY	APPROVE
UNIT mm	K.O.M	K.O.M		
NO.	DATE	REVISION & DESCRIPTION	REVIEWED	CHECKED
DWG DATE : 2020.06.29		PROJECT	-	
		CUSTOMER	-	
		DWG CODE	-	