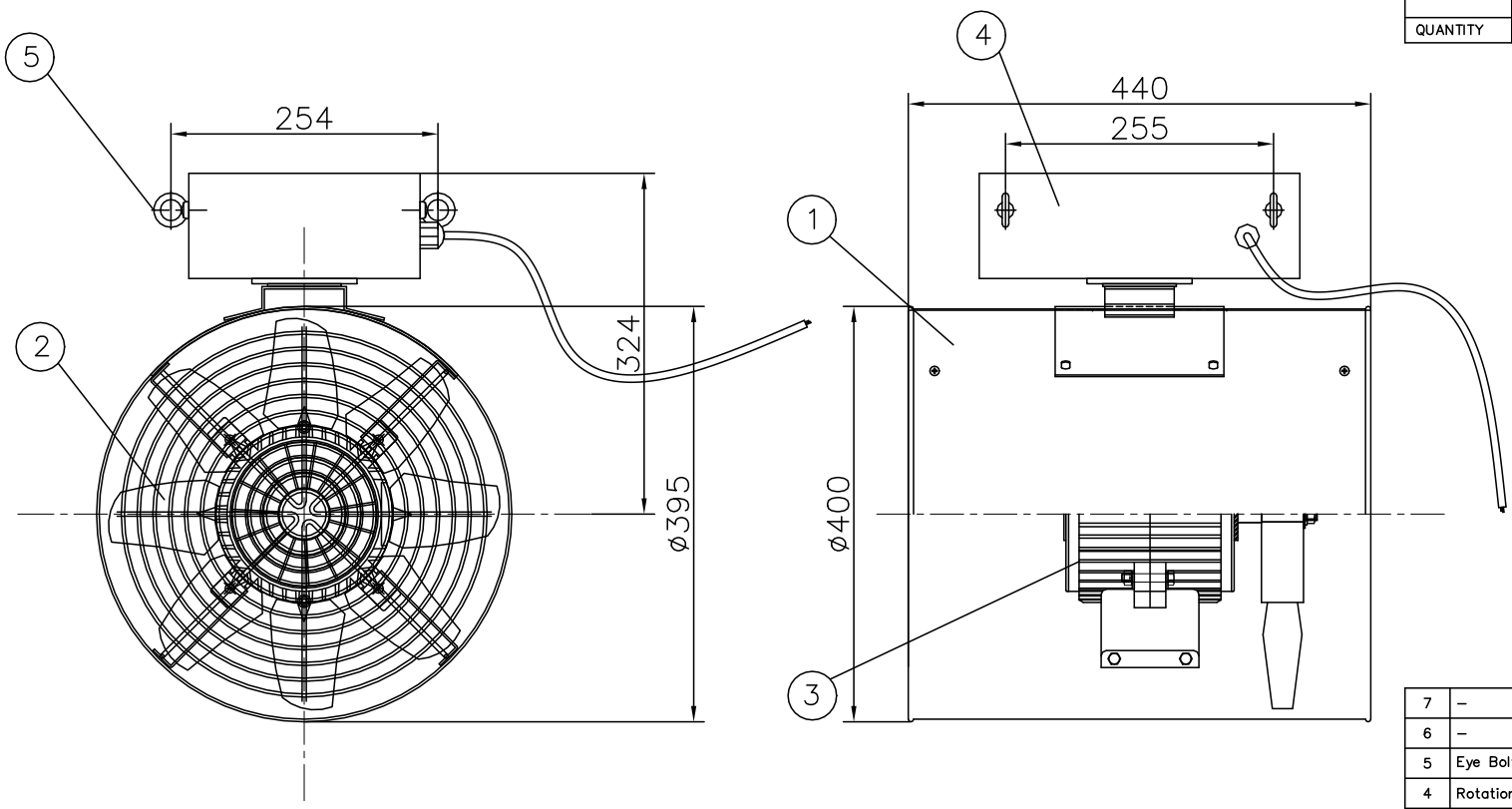


ITEM	Location	-	
	Service	-	
	Equip No.	-	
	Fan Model	DR-FP400DSC	
F A N		MOTOR ( 60Hz)	
AIR VOLUME	-	m <sup>3</sup> /min	POWER 470 W
STATIC	SUC	- mmAq	VOLTAGE 220 V
PRESSURE	DIS	- mmAq	PHASE 1 Ph
OPERATING FLUID AIR (At)20°C		POLSE 4 P	
REVOLUTION	1681	R.P.M	REVOLUTION 1681 R.P.M
BEARING	in side	-	PULLEY fan -ty -p -"
	out side	-	motor -ty -p -"
COLOR	casing	GRAY	
	belt cover	-	
QUANTITY	-	EA	V-VELT LENGTH - "



7	-	-	-	-
6	-	-	-	-
5	Eye Bolt	-	4	
4	Rotation Box	SPHC	1	
3	Motor		470W	1
2	Impeller	PP/GF	1	
1	Casing	STS304	1	

도면코드	EP40B001SB	ITEM NO.	NOMENCLATURE	MATERIAL	SIZE	QUAN'T	REMARK
			대륜산업(주)	FLOW FAN			
		SCALE N/S	DWG. BY	DES'N BY	CHK'D BY	APPROVE	PROJECT
		UNIT mm	K.O.M				CUSTOMER
NO.	DATE	REVISION & DESCRIPTION	REVIEWED	CHECKED	DWG DATE : 2020.07.01	DWG CODE	-