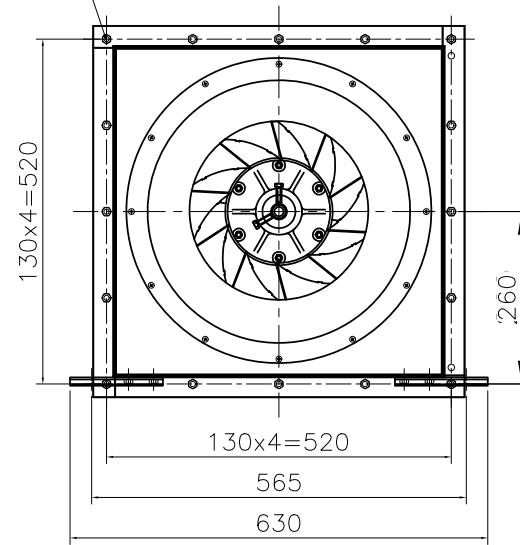


12-M8x15L bolt+nut



ITEM	Location	-	
	Service	-	
	Equip No.	-	
	Fan Model	DR-FIL400TC	
F A N		MOTOR ( 60 Hz)	
AIR VOLUME	-	m <sup>3</sup> /min	POWER 0.6 Kw
STATIC	SUC	- mmAq	VOLTAGE 380 V
PRESSURE	DIS	- mmAq	PHASE 3 Ph
OPERATING FLUID AIR (At)20°C		POLSE 4 P	
REVOLUTION 1740 R.P.M		REVOLUTION 1740 R.P.M	
BEARING	in side	-	PULLEY fan - ty - p - "
	out side	-	
COLOR	casing	GRAY	
	belt cover	-	
QUANTITY	-	EA	V-VELT LENGTH - "

7	-	-	-	-	-
6	-	-	-	-	-
5	-	-	-	-	-
4	-	-	-	-	-
3	Motor			1	
2	Impeller	SPCC		1	
1	Casing	SPCC		1	
ITEM NO.	NOMENCLATURE	MATERIAL	SIZE	QUAN'T	REMARK

대륜산업(주) DUCT IN LINE FAN

SCALE	DWG. BY	DES'N BY	CH'D BY	APPROVE	PROJECT	-
N/S					CUSTOMER	-
UNIT	-				DWG CODE	-
mm						
NO.	DATE	REVISION & DESCRIPTION	REVIEWED	CHECKED	DWG DATE : 2019.09.18	