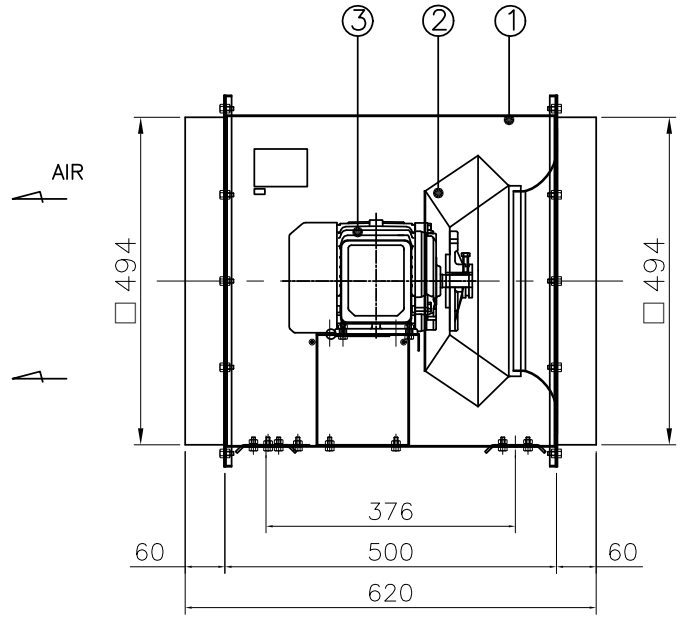
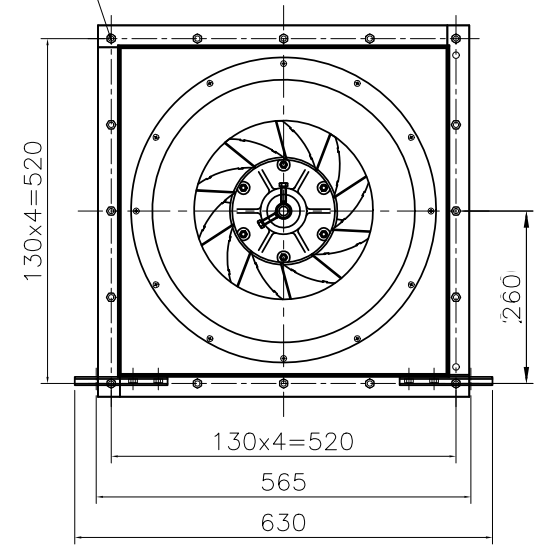


DETAIL 'A'

ITEM	Location	-	
	Service	-	
	Equip No.	-	
	Fan Model	DR-FIL400TP	
F A N		MOTOR (60 Hz)	
AIR VOLUME	- m <sup>3</sup> /min	POWER	0.75 Kw
STATIC PRESSURE	SUC - mmAq DIS - mmAq	VOLTAGE	380 V
OPERATING FLUID AIR	(At)20°C	PHASE	3 Ph
REVOLUTION	1765 R.P.M	POLSE	4 P
REVOLUTION	1765 R.P.M	REVOLUTION	1765 R.P.M
BEARING	in side -	PULLEY	fan - ty - p - "
	out side -		motor - ty - p - "
COLOR	casing	-	
	belt cover	-	
QUANTITY	- EA	V-VELT LENGTH	- "



12-M8x15L bolt+nut



7	-	-	-	-	-
6	-	-	-	-	-
5	-	-	-	-	-
4	-	-	-	-	-
3	Motor		1Hp	1	
2	Impeller	SPCC		1	
1	Casing	SPCC		1	
ITEM NO.	NOMENCLATURE	MATERIAL	SIZE	QUAN'T	REMARK

		대륜 산업 (주)		DUCT IN LINE FAN	
SCALE	N/S	DWG. BY	DES'N BY	CH'D BY	APPROVE
UNIT	mm				
NO.	DATE	REVISION & DESCRIPTION	REVIEWED	CHECKED	DWG DATE : 2019.08.27
					PROJECT -
					CUSTOMER -
					DWG CODE -