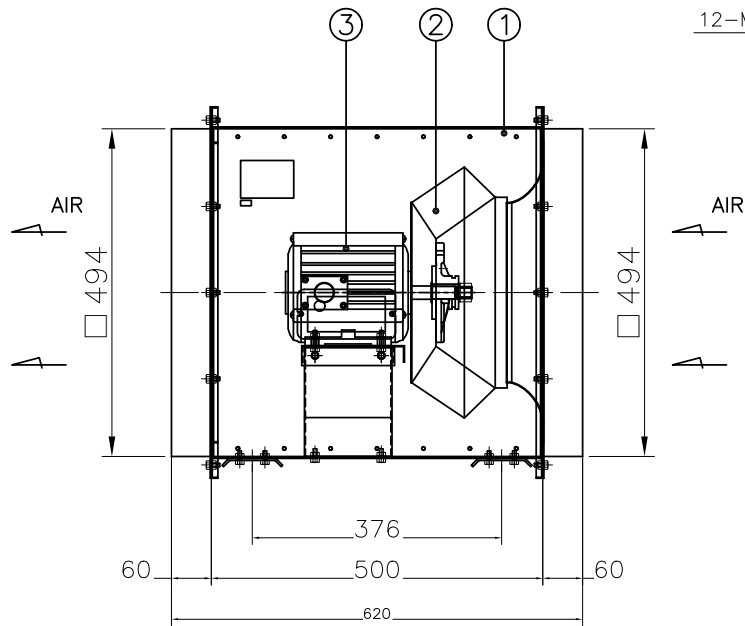
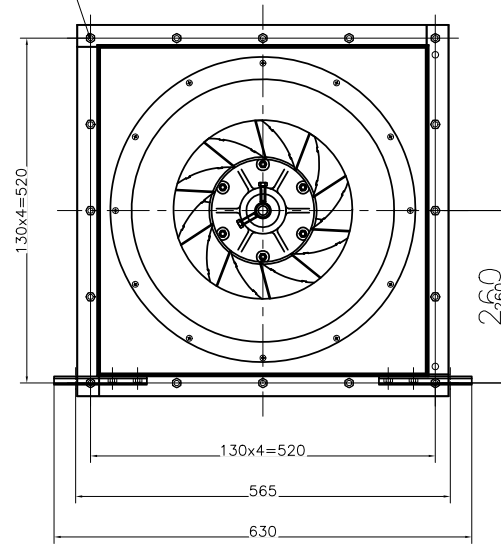


DETAIL A



12-M8x15L bolt+nut



ITEM	Location	-	
	Service	-	
	Equip No.	-	
	Fan Model	DR-GIL400SC	
F A N		MOTOR ( 60 Hz)	
AIR VOLUME	-	m <sup>3</sup> /min	POWER 0.3 Kw
STATIC	SUC	- mmAq	VOLTAGE 220 V
PRESSURE	DIS	- mmAq	PHASE 1 Ph
OPERATING FLUID AIR (At)20°C		POLSE 6 P	
REVOLUTION	1130	R.P.M	REVOLUTION 1130 R.P.M
BEARING	in side	-	PULLEY fan -ty -p -"
	out side	-	
COLOR	casing	GRAY	
	belt cover	-	
QUANTITY	-	EA	V-VELT LENGTH - "

7	-	-	-	-	-
6	-	-	-	-	-
5	-	-	-	-	-
4	-	-	-	-	-
3	Motor			1	
2	Impeller	SPCC		1	
1	Casing	SPCC		1	
ITEM NO.	NOMENCLATURE	MATERIAL	SIZE	QUAN'T	REMARK

		대륜산업(주)		DUCT IN LINE FAN	
SCALE	DWG. BY	DES'N BY	CH'D BY	APPROVE	PROJECT
N/S					-
UNIT					CUSTOMER
mm					-
NO.	DATE	REVISION & DESCRIPTION	REVIEWED	CHECKED	DWG DATE : 2019.09.18
					DWG CODE -