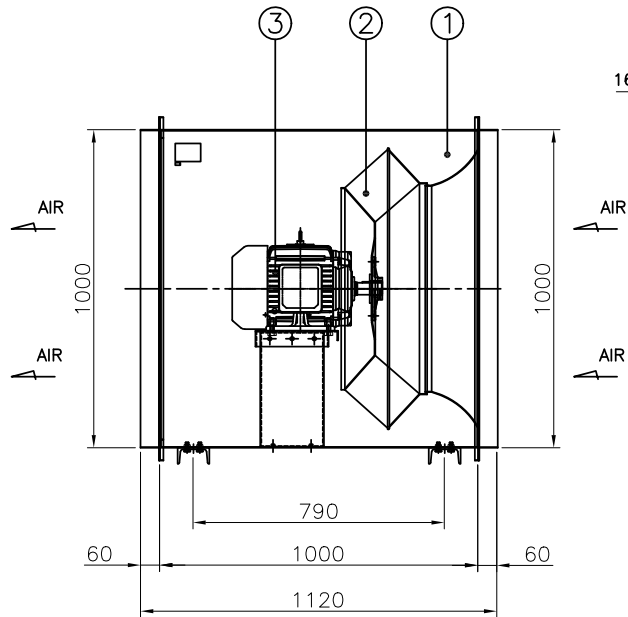
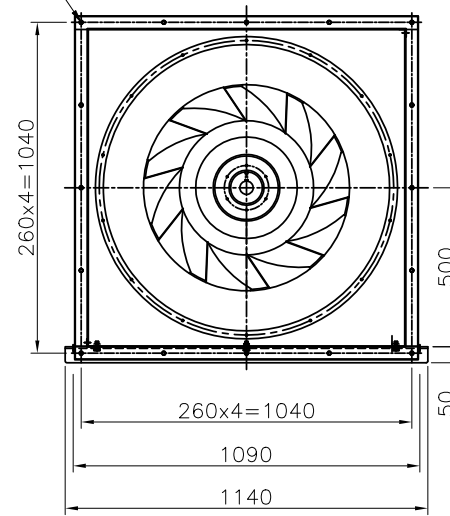


DETAIL A

| | | | |
|------------------------------|------------|-----------------------|----------------------|
| ITEM | Location | - | |
| | Service | - | |
| | Equip No. | - | |
| | Fan Model | DR-GIL850TP | |
| F A N | | MOTOR (60 Hz) | |
| AIR VOLUME | - | m ³ /min | POWER 5.5 Kw |
| STATIC | SUC | - mmAq | VOLTAGE 380 V |
| PRESSURE | DIS | - mmAq | PHASE 3 Ph |
| OPERATING FLUID AIR (At)20°C | | POLSE 6 P | |
| REVOLUTION 1175 R.P.M | | REVOLUTION 1175 R.P.M | |
| BEARING | in side | - | PULLEY fan -ty -p -" |
| | out side | - | |
| COLOR | casing | GRAY | |
| | belt cover | - | |
| QUANTITY | - | EA | V-VELT LENGTH - " |



16-M8 Bolt/Nut



| 7 | - | - | - | - | - |
|----------|--------------|----------|-------|--------|--------|
| 6 | - | - | - | - | - |
| 5 | - | - | - | - | - |
| 4 | - | - | - | - | - |
| 3 | Motor | | 7.5Hp | 1 | |
| 2 | Impeller | SPCC | | 1 | |
| 1 | Casing | SPCC | | 1 | |
| ITEM NO. | NOMENCLATURE | MATERIAL | SIZE | QUAN'T | REMARK |

| | | | | | |
|-------|------|------------------------|----------|------------------|-----------------------|
| | | 대륜산업(주) | | DUCT IN LINE FAN | |
| SCALE | N/S | DWG. BY | DES'N BY | CH'D BY | APPROVE |
| UNIT | mm | | | | |
| NO. | DATE | REVISION & DESCRIPTION | REVIEWED | CHECKED | DWG DATE : 2019.08.29 |
| | | | | | PROJECT - |
| | | | | | CUSTOMER - |
| | | | | | DWG CODE - |