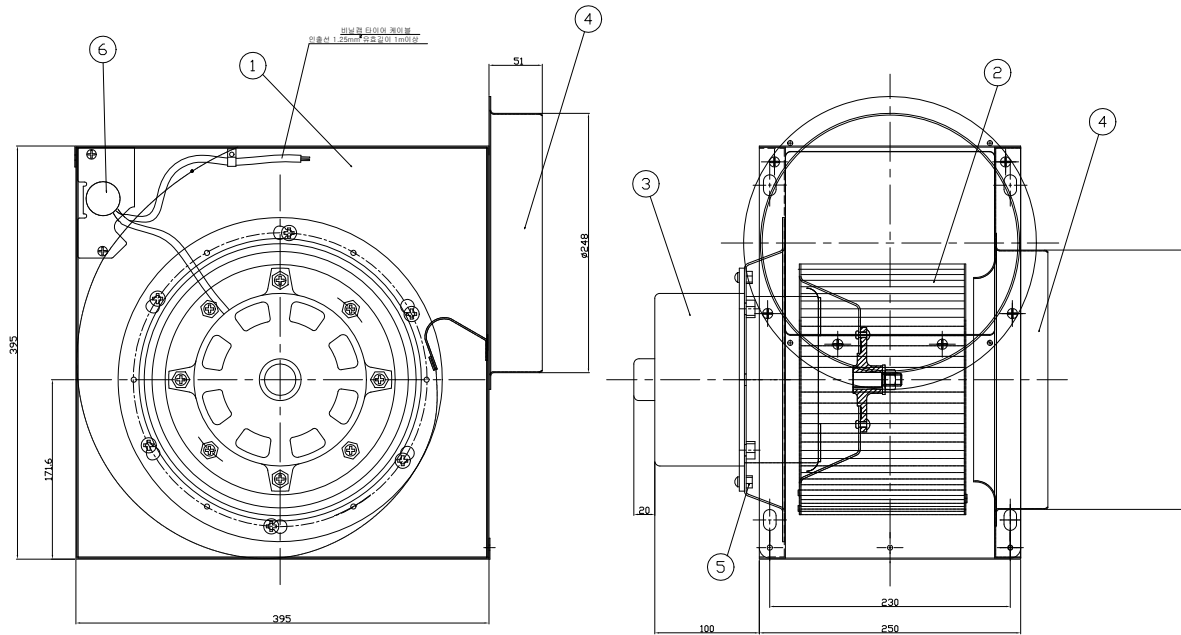


ITEM	Location	-	
	Service	-	
	Equip No.	-	
	Fan Model	DR-FS28FTA	
F A N		MOTOR (60 Hz)	
AIR VOLUME	-	m ³ /min	POWER 1.2 Kw
STATIC PRESSURE	SUC -	mmAq	VOLTAGE 220/380 V
	DIS -	mmAq	PHASE 3 Ph
OPERATING FLUID AIR	(At)20°C		POLSE 4 P
REVOLUTION	1670	R.P.M	REVOLUTION 1670 R.P.M
BEARING	in side	-	PULLEY fan - ty - p - "
	out side	-	
COLOR	casing	-	
	belt cover	-	
QUANTITY	-	EA	V-VELT LENGTH - "



12	Test Certificate Sticker			1	
11	Producter Sticker			1	
6	Condenser			1	
5	Motor Support	SUS		1	
4	Duct Flange	SUS		1	
3	Motor		4P 1/2Hp	1	
2	Impeller	SUS		1	
1	Casing	SUS		1	
ITEM NO.	NOMENCLATURE	MATERIAL	SIZE	QUAN'T	REMARK

대륜산업(주)		Small Sirocco Fan			
SCALE	DWG. BY	DES'N BY	CH'D BY	APPROVE	PROJECT
N/S	Lee j.s				CUSTOMER
UNIT	mm				
NO.	DATE	REVISION & DESCRIPTION	REVIEWED	CHECKED	DWG CODE
					DWG DATE : 2020.04.14