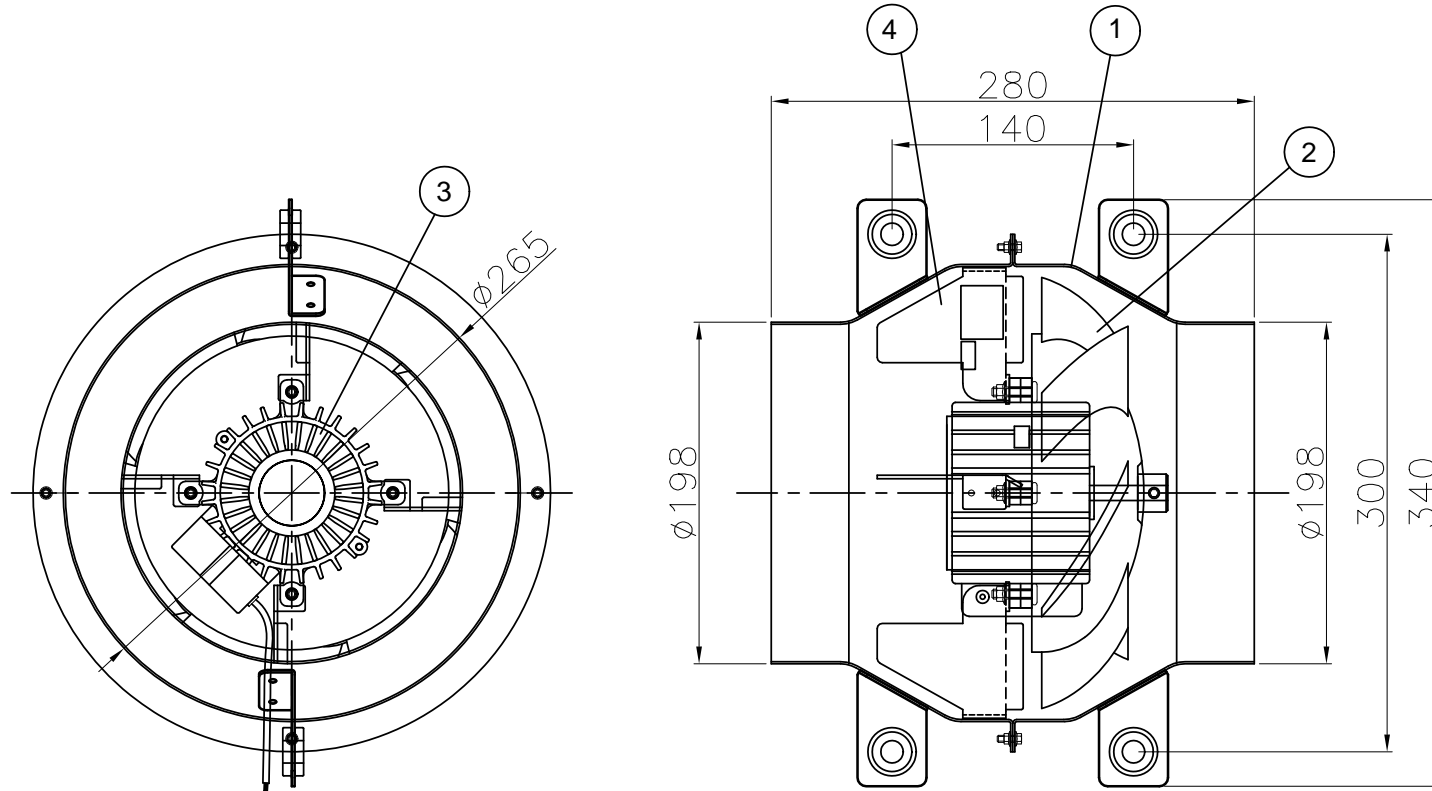


ITEM	Location	-	
	Service	-	
	Equip No.	1	
	Fan Model	DR-FIL20ASA	
F A N		MOTOR ( 60 Hz)	
AIR VOLUME	-	m <sup>3</sup> /min	POWER 0.65 Kw
STATIC PRESSURE	SUC	- mmAq	VOLTAGE 220 V
	DIS	- mmAq	PHASE 1 Ph
OPERATING FLUID AIR	(At)20°C		POLSE 4 P
REVOLUTION	1585 R.P.M		REVOLUTION 1585 R.P.M
BEARING	in side	-	PULLEY fan -ty -p -"
	out side	-	
COLOR	casing	-	
	belt cover	-	
QUANTITY	-	EA	V-VELT LENGTH - "



7	-	-	-	-	
6	-	-	-	-	
5	-	-	-	-	
4	Motor Support	SPCC	1		
3	Motor		1		
2	Impeller	SPCC	1		
1	Casing	SPCC	1		
ITEM NO.	NOMENCLATURE	MATERIAL	SIZE	QUAN'T	REMARK

		대륜산업(주)		High-pressure multilevel blowers	
SCALE	N/S	DWG. BY	DES'N BY	CH'D BY	APPROVE
UNIT	mm	-			
NO.	DATE	REVISION & DESCRIPTION	REVIEWED	CHECKED	DWG DATE : 2019.09.03
					PROJECT -
					CUSTOMER -
					DWG CODE -