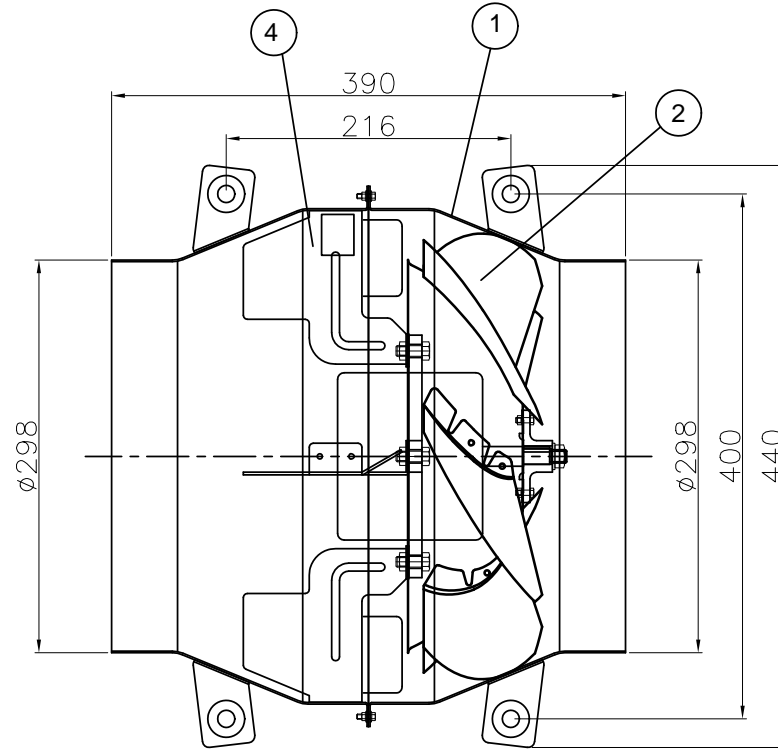
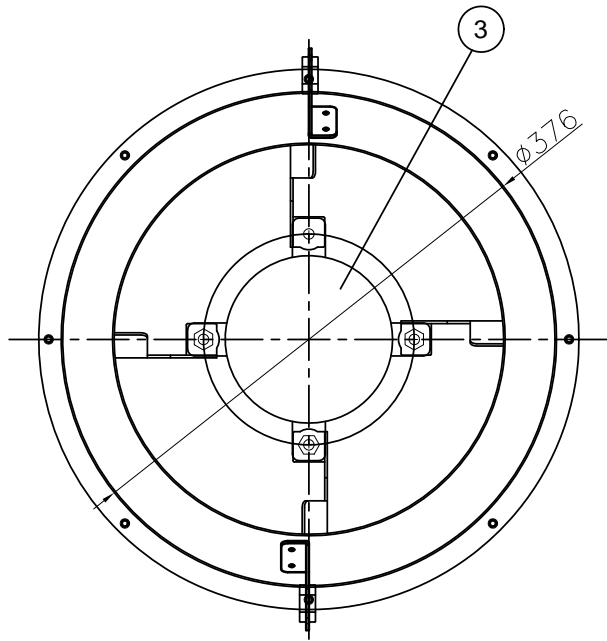


ITEM	Location	-	
	Service	-	
	Equip No.	1	
	Fan Model	DR-FIL30DSA	
F A N		MOTOR (60 Hz)	
AIR VOLUME	-	m ³ /min	POWER 0.2 Kw
STATIC PRESSURE	SUC -	mmAq	VOLTAGE 220 V
	DIS -	mmAq	PHASE 1 Ph
OPERATING FLUID AIR	(At)20°C		POLSE 4 P
REVOLUTION	1690 R.P.M		REVOLUTION 1690 R.P.M
BEARING	in side	-	PULLEY fan -ty -p -"
	out side	-	
COLOR	casing	-	
	belt cover	-	
QUANTITY	-	EA	V-VELT LENGTH - "



7	-	-	-	-	-
6	-	-	-	-	-
5	-	-	-	-	-
4	Motor Support	SPCC		1	
3	Motor			1	
2	Impeller	FRP		1	
1	Casing	SPCC		1	
ITEM NO.	NOMENCLATURE	MATERIAL	SIZE	QUAN'T	REMARK

대륜산업(주)		High-pressure multilevel blowers			
SCALE	DWG. BY	DES'N BY	CH'D BY	APPROVE	PROJECT
N/S	-	-	-	-	-
UNIT					CUSTOMER
mm					-
NO.	DATE	REVISION & DESCRIPTION	REVIEWED	CHECKED	DWG DATE : 2019.09.03
					DWG CODE