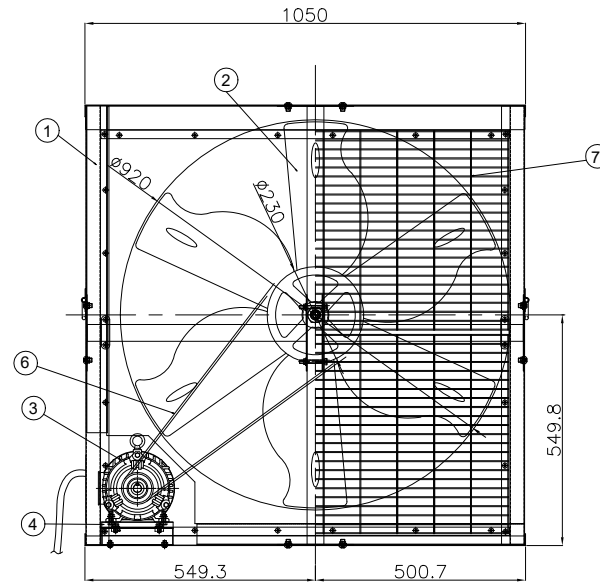
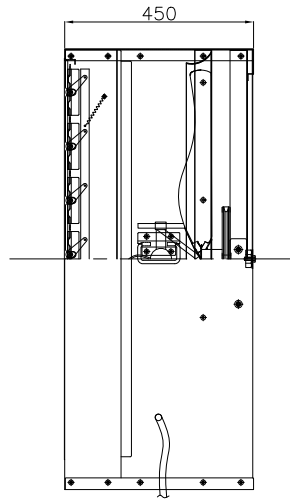
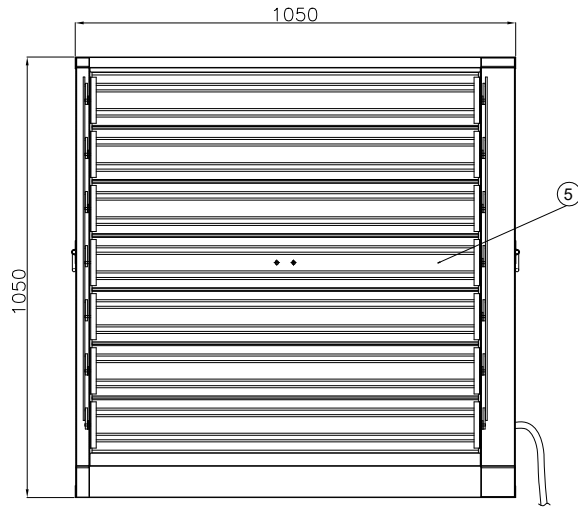


ITEM	Location	-	
	Service	-	
	Equip No.	1	
	Fan Model	DR-FB1000TP(배기)	
F A N		MOTOR ( 60 Hz)	
AIR VOLUME	-	m <sup>3</sup> /min	POWER 0.75 Kw
STATIC	SUC	- mmAq	VOLTAGE 440 V
PRESSURE	DIS	- mmAq	PHASE 3 Ph
OPERATING FLUID AIR	(At)	20°C	POLSE 4 P
REVOLUTION	485 R.P.M	REVOLUTION	485 R.P.M
BEARING	in side	-	PULLEY fan -ty -p - "
	out side	-	
COLOR	casing	-	
	belt cover	-	
QUANTITY	-	EA	V-VELT LENGTH - "



7	Safety Net	GI		1	
6	V-Belt			1	
5	Shutter Ass'y	GI		1	
4	Motor Support			1	
3	Motor			1	
2	Impeller			1	
1	Casing	GI		1	
ITEM NO.	NOMENCLATURE	MATERIAL	SIZE	QUAN'T	REMARK

		대원산업(주)		High-pressure multilevel blowers	
SCALE	N/S	DWG. BY	DES'N BY	CH'D BY	APPROVE
UNIT	mm	-	-	-	-
NO.	DATE	REVISION & DESCRIPTION	REVIEWED	CHECKED	DWG DATE : 2019.09.03
					DWG CODE -