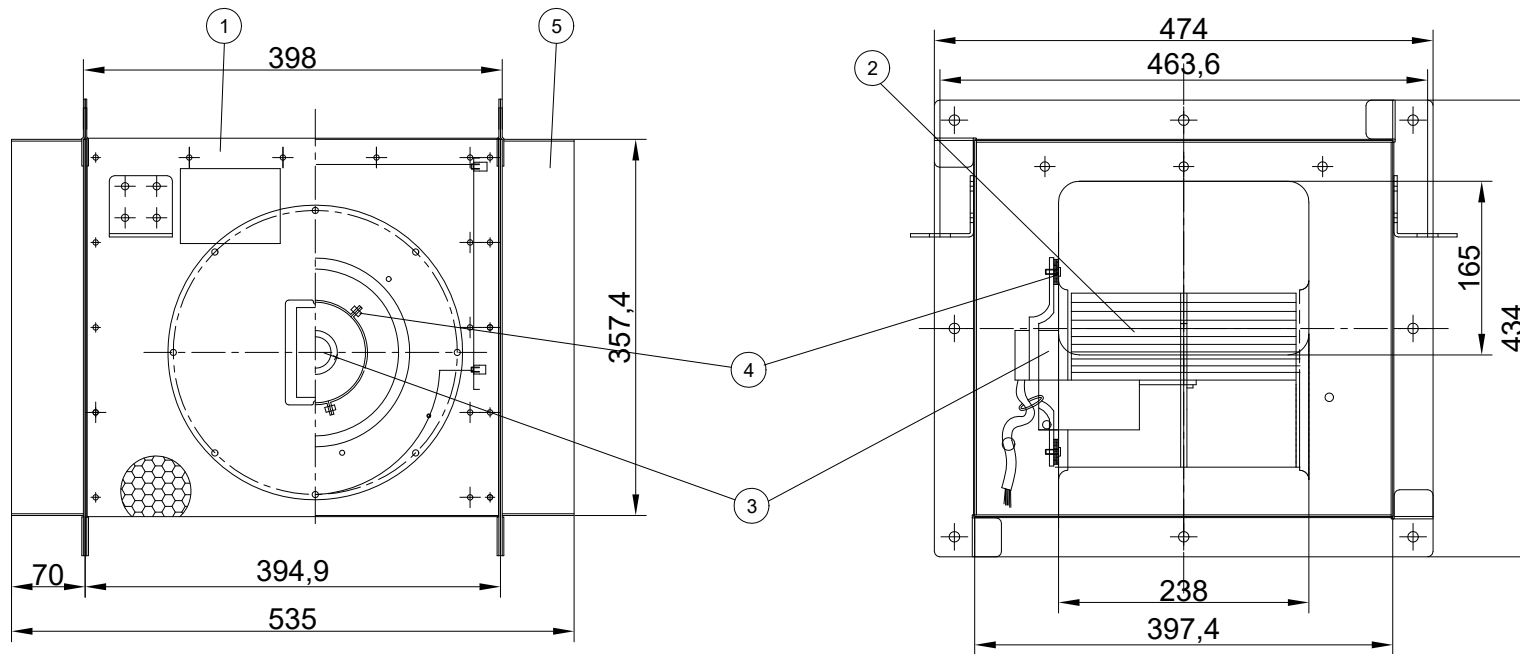


ITEM	Location	-	
	Service	-	
	Equip No.	1	
	Fan Model	DR-FID20DSC	
F A N		MOTOR (60 Hz)	
AIR VOLUME	- m ³ /min	POWER	0.42 Kw
STATIC PRESSURE	SUC - mmAq	VOLTAGE	220 V
	DIS - mmAq	PHASE	1 Ph
OPERATING FLUID AIR (At)20°C		POLSE	4 P
REVOLUTION	- R.P.M	REVOLUTION	- R.P.M
BEARING	in side -	PULLEY	fan -ty -p -"
	out side -		motor -ty -p -"
COLOR	casing	-	
	belt cover	-	
QUANTITY	- EA	V-VELT LENGTH	- "



7	-			-	
6	-			-	
5	Duct Flange	SPCC		2	
4	Motor Support	SS400		1	
3	Motor			1	
2	Impeller	-		1	
1	Casing	SPCC		1	
ITEM NO.	NOMENCLATURE	MATERIAL	SIZE	QUAN'T	REMARK

		대륜 산업 (주)		Sirocco In-line Fan	
SCALE	DWG. BY	DES'N BY	CH'D BY	APPROVE	PROJECT
N/S	-				-
UNIT					CUSTOMER
mm					-
NO.	DATE	REVISION & DESCRIPTION	REVIEWED	CHECKED	DWG DATE : 2020.08.05
					DWG CODE
					-