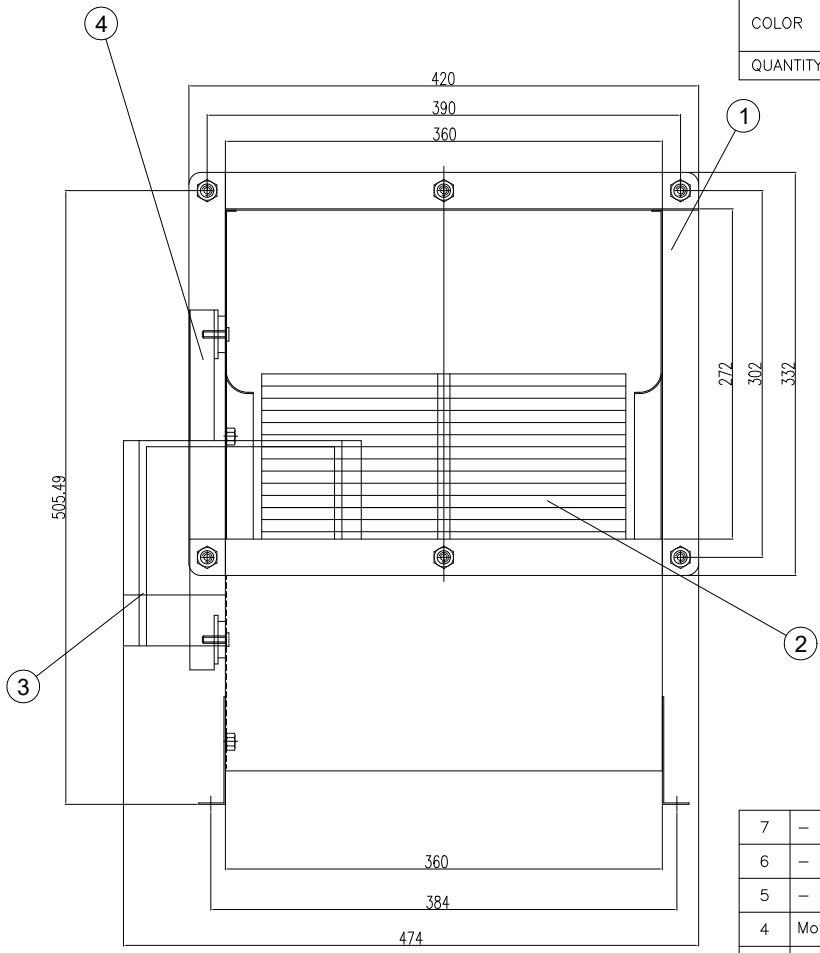
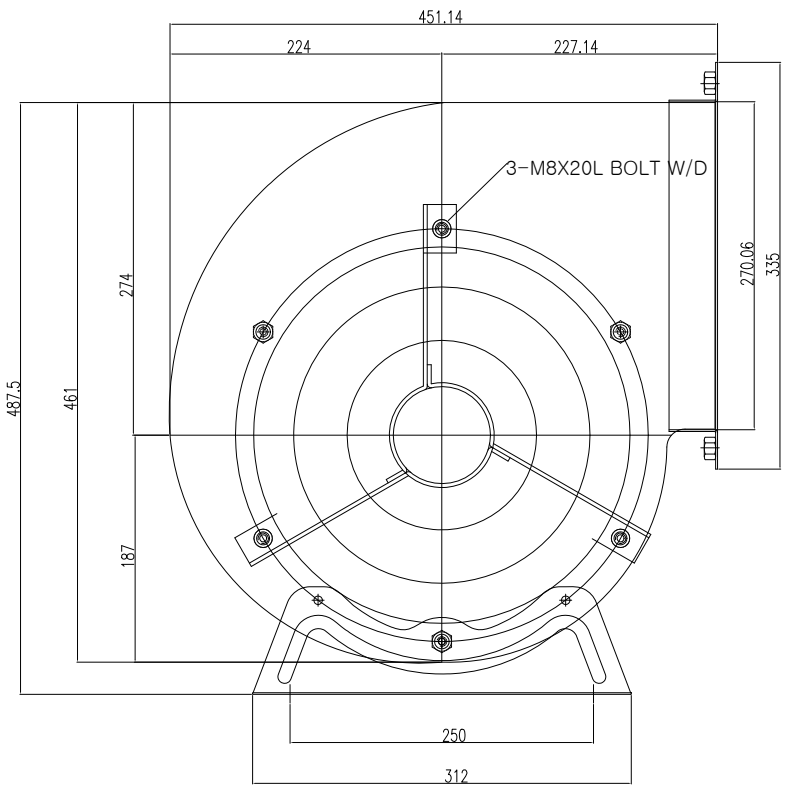


| | | | |
|---------------------|------------|---------------------|-----------------------|
| ITEM | Location | - | |
| | Service | - | |
| | Equip No. | 1 | |
| | Fan Model | DR-DT1212 | |
| F A N | | MOTOR (60 Hz) | |
| AIR VOLUME | - | m ³ /min | POWER 1.1 Kw |
| STATIC | SUC | - mmAq | VOLTAGE 220/380 V |
| PRESSURE | DIS | - mmAq | PHASE 3 Ph |
| OPERATING FLUID AIR | (At)20°C | | POLSE 6 P |
| REVOLUTION | 955 R.P.M | | REVOLUTION 955 R.P.M |
| BEARING | in side | - | PULLEY fan -ty -p - " |
| | out side | - | |
| COLOR | casing | - | |
| | belt cover | - | |
| QUANTITY | - | EA | V-VELT LENGTH - " |



| | | | | | |
|----------|---------------|----------|------|--------|--------|
| 7 | - | | | - | |
| 6 | - | | | - | |
| 5 | - | | | - | |
| 4 | Motor Support | | | 1 | |
| 3 | Motor | | | 1 | |
| 2 | Impeller | | | 1 | |
| 1 | Casing | - | | 1 | |
| ITEM NO. | NOMENCLATURE | MATERIAL | SIZE | QUAN'T | REMARK |

대원산업(주) High-pressure multilevel blowers

| | | | | | | | |
|-------|------|------------------------|----------|---------|-----------------------|----------|---|
| SCALE | N/S | DWG. BY | DES'N BY | CH'D BY | APPROVE | PROJECT | - |
| UNIT | mm | - | - | - | - | CUSTOMER | - |
| NO. | DATE | REVISION & DESCRIPTION | REVIEWED | CHECKED | DWG DATE : 2019.09.03 | DWG CODE | - |