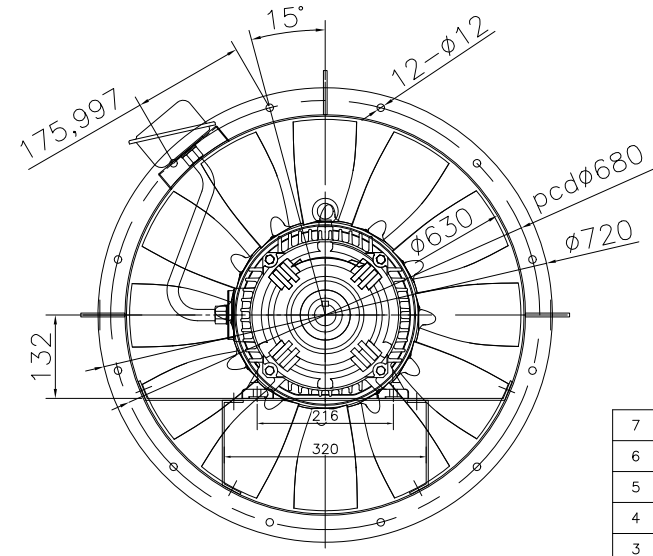
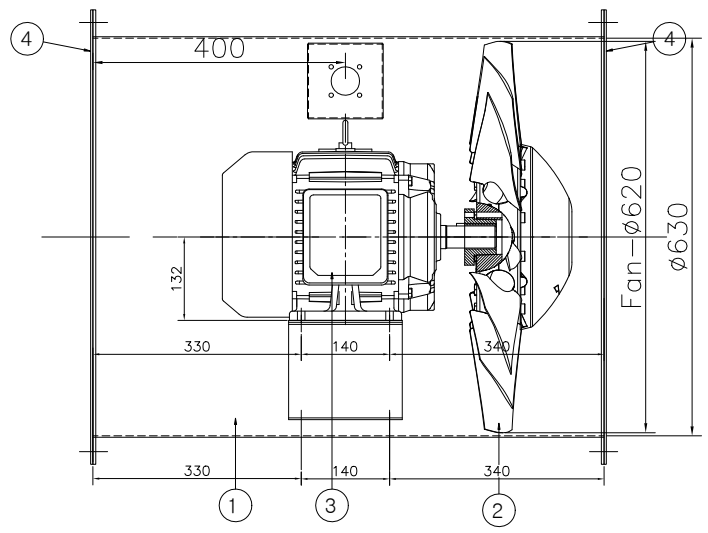
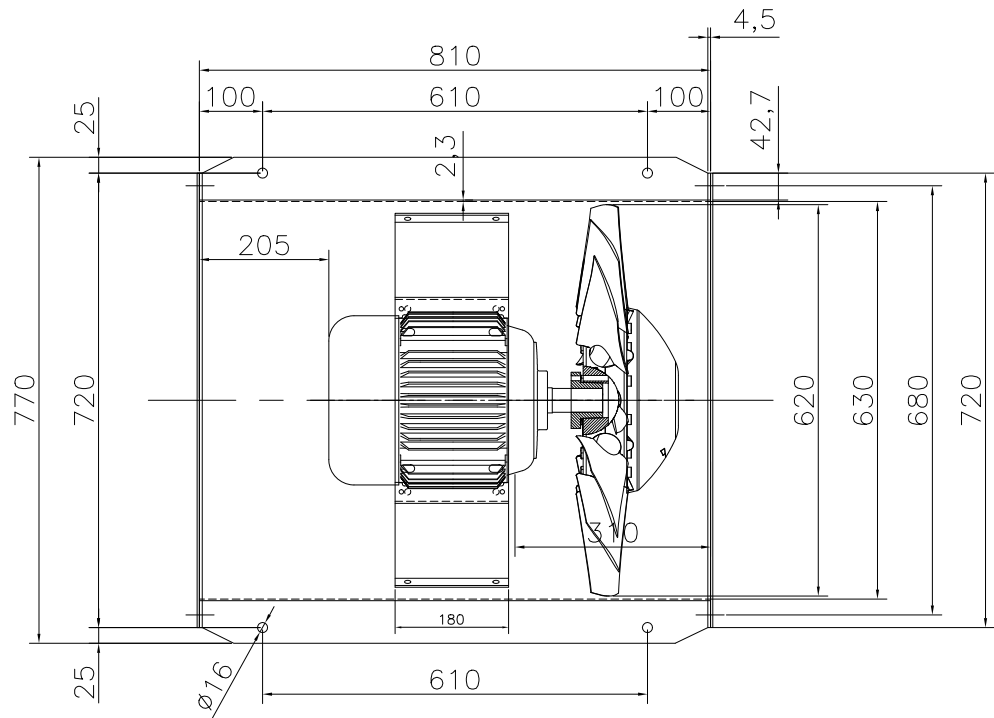


ITEM	Location	-
	Service	-
	Equip No.	-
	Fan Model	DR-EXA620TP
F A N		MOTOR (50 Hz)
AIR VOLUME	- m ³ /min	POWER 7.5 Kw
STATIC PRESSURE	SUC - mmAq	VOLTAGE 380 V
	DIS - mmAq	PHASE 3 Ph
OPERATING FLUID	AIR (At)20°C	POLSE 4 P
REVOLUTION	2880 R.P.M	REVOLUTION 2880 R.P.M
BEARING	in side -	PULLEY fan -ty -p - "
	out side -	
COLOR	casing	GRAY
	belt cover	-
QUANTITY	- EA	V-VELT LENGTH - "



7	-	-	-	-	-
6	-	-	-	-	-
5	-	-	-	-	-
4	Companion Flange	SPHC		4	
3	Motor		10Hp	1	
2	Impeller	AL		1	
1	Casing	SPHC		1	
ITEM NO.	NOMENCLATURE	MATERIAL	SIZE	QUAN'T	REMARK

도면코드 XA620E1S000132

대륜 산업 (주)		AXIAL FAN			
SCALE N/S	DWG. BY/DES'N BY/CH'D BY/APPROVE	PROJECT	-		
UNIT mm	Baky.s	CUSTOMER	-		
NO.	DATE	REVISION & DESCRIPTION	REVIEWED	CHECKED	DWG DATE : 2020.05.12
					DWG CODE -

132S