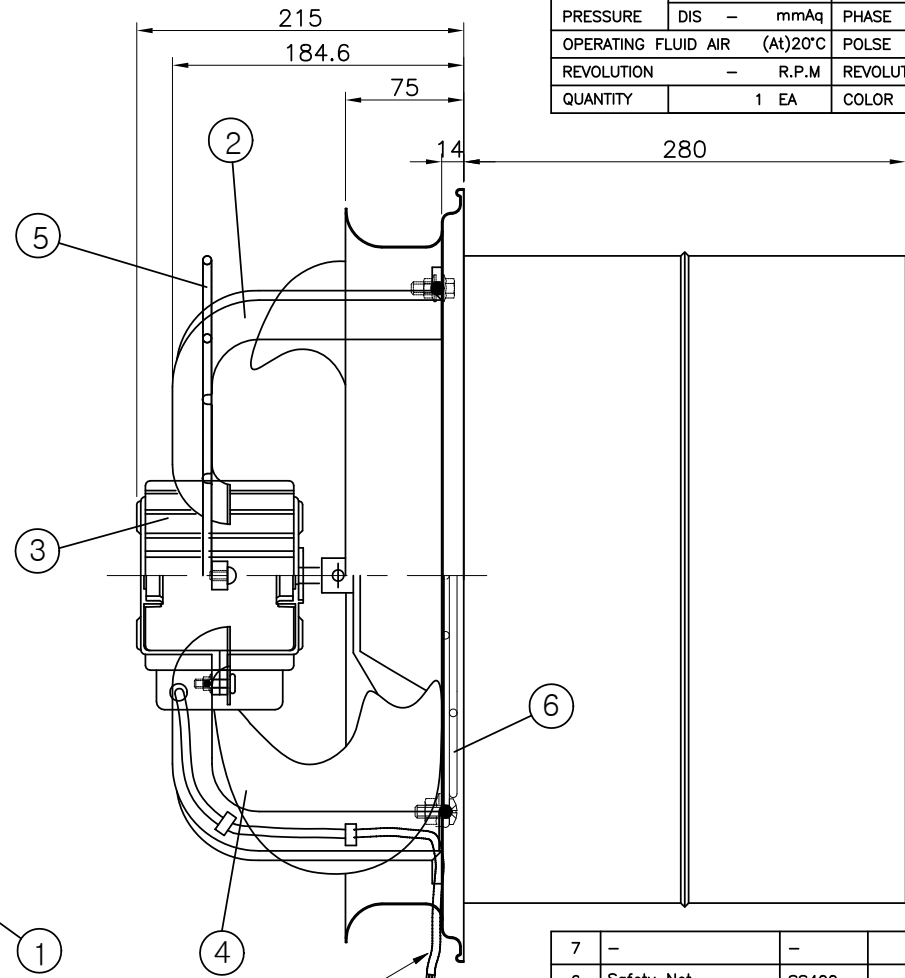
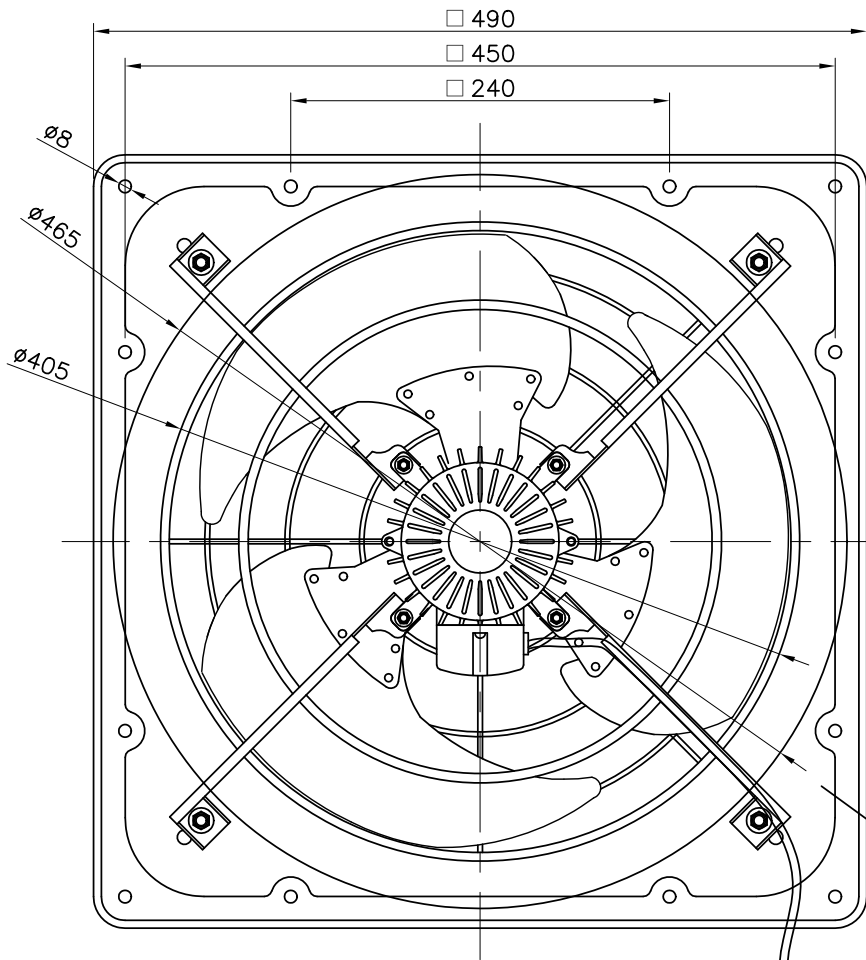


ITEM	Location	-	
	Service	-	
	Equip No.	1	
	Fan Model	DR-HF40DSA	
F A N		MOTOR (60 Hz)	
AIR VOLUME	-	m ³ /min	POWER 185 W
STATIC PRESSURE	SUC -	mmAq	VOLTAGE 220 V
	DIS -	mmAq	PHASE 1 Ph
OPERATING FLUID AIR	(At)20°C		POLSE 4 P
REVOLUTION	-	R.P.M	REVOLUTION - R.P.M
QUANTITY	1 EA	COLOR	casing GRAY



비닐캡 타이어 케이블
2심/6심X0.75mm² 유효길이 1m

7	-	-	-	-	-
6	Safety Net	SS400		1	
5	Safety Ring	SS400		1	
4	Impeller	SPCC		1	
3	Motor		-	1	
2	Motor Support	SPCC		4	
1	Casing	SPCC		1	
ITEM NO.	NOMENCLATURE	MATERIAL	SIZE	QUAN'T	REMARK

		대륜산업(주)		Exhaust High Pressure Ventilating Fan	
SCALE	N/S	DWG. BY	DES'N BY	CH'D BY	APPROVE
UNIT	mm				
NO.	DATE	REVISION & DESCRIPTION	REVIEWED	CHECKED	DWG DATE : 2019.10.17
					PROJECT -
					CUSTOMER -
					DWG CODE -