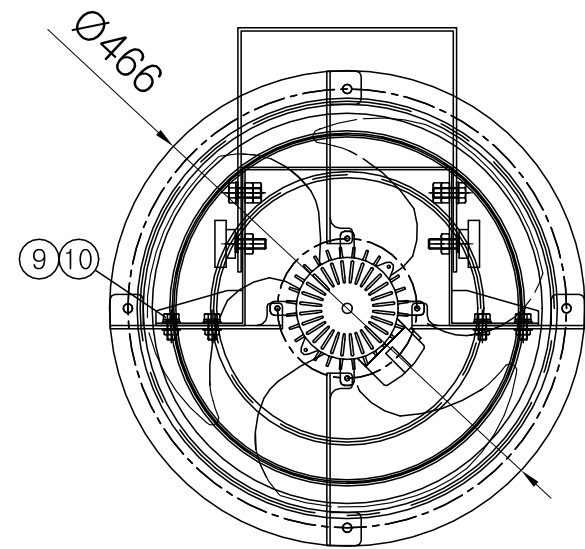
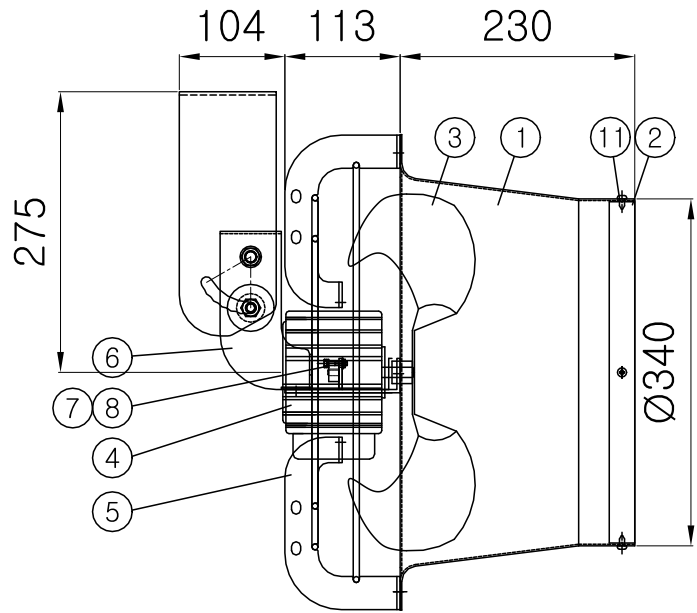


ITEM	Location	-	
	Service	-	
	Equip No.	-	
	Fan Model	DR-SF350DSC	
F A N		MOTOR (60Hz)	
AIR VOLUME	-	m <sup>3</sup> /min	POWER 119 Kw
STATIC PRESSURE	SUC	- mmAq	VOLTAGE 220 V
	DIS	- mmAq	PHASE 1 Ph
OPERATING FLUID AIR (At)20°C			POLSE 4 P
REVOLUTION	1720	R.P.M	REVOLUTION 1720 R.P.M
BEARING	in side	-	fan ty-p -
	out side	-	motor ty-p -
COLOR	casing	-	
	belt cover	-	
QUANTITY	-	EA	V-VELT LENGTH -



7	-	-	-	-	-
6	-	-	-	-	-
5	-	-	-	-	-
4	-	-	-	-	-
3	Motor			1	
2	Impeller	SPCC		1	
1	Casing	SPCC		1	
ITEM NO.	NOMENCLATURE	MATERIAL	SIZE	QUANT	REMARK

					대륜산업(주)			Air Circulation Fan			
SCALE	DWG. BY	DES'N BY	CH'D BY	APPROVE	PROJECT	-					
UNIT	-					CUSTOMER	-				
NO.	DATE	REVISION & DESCRIPTION	REVIEWED	CHECKED	DWG DATE :	2020.07.24	DWG CODE	-			