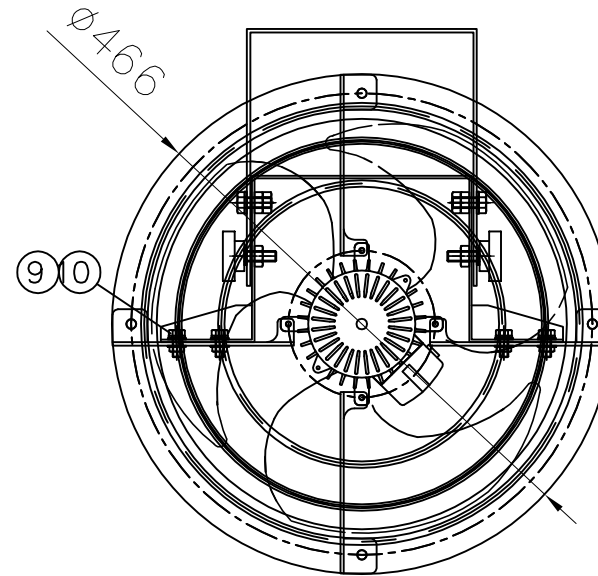
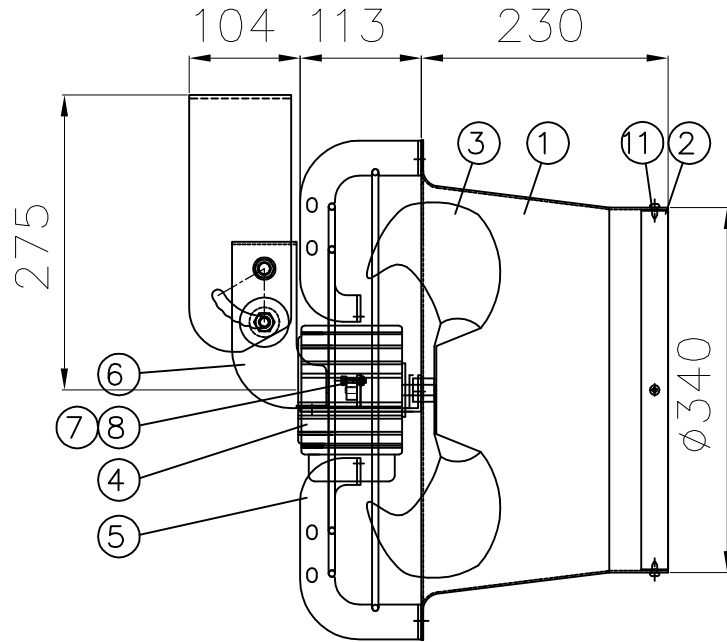


ITEM	Location	-	
	Service	-	
	Equip No.	-	
	Fan Model	DR-SF350DTB	
F A N		MOTOR (60Hz)	
AIR VOLUME	- m ³ /min	POWER	119 Kw
STATIC PRESSURE	SUC - mmAq	VOLTAGE	380 V
	DIS - mmAq	PHASE	3 Ph
OPERATING FLUID AIR (At)20°C		POLSE	4 P
REVOLUTION	- R.P.M	REVOLUTION	- R.P.M
BEARING	in side -	PULLEY	fan - ty-p - "
	out side -		motor- ty-p - "
COLOR	casing	-	
	belt cover	-	
QUANTITY	- EA	V-VELT LENGTH	- "



7	-	-	-	-	-
6	-	-	-	-	-
5	-	-	-	-	-
4	-	-	-	-	-
3	Motor			1	
2	Impeller	SPCC		1	
1	Casing	SPCC		1	
ITEM NO.	NOMENCLATURE	MATERIAL	SIZE	QUAN'T	REMARK

		대륜 산업 (주)		Air Circulation Fan	
SCALE	DWG. BY	DES'N BY	CH'D BY	APPROVE	PROJECT
N/S	-				-
UNIT					CUSTOMER
mm					-
NO.	DATE	REVISION & DESCRIPTION	REVIEWED	CHECKED	DWG CODE
					-
		DWG DATE :		2020.07.24	