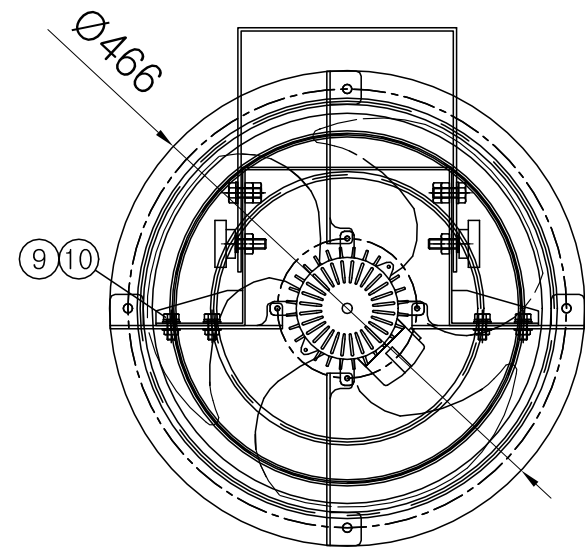
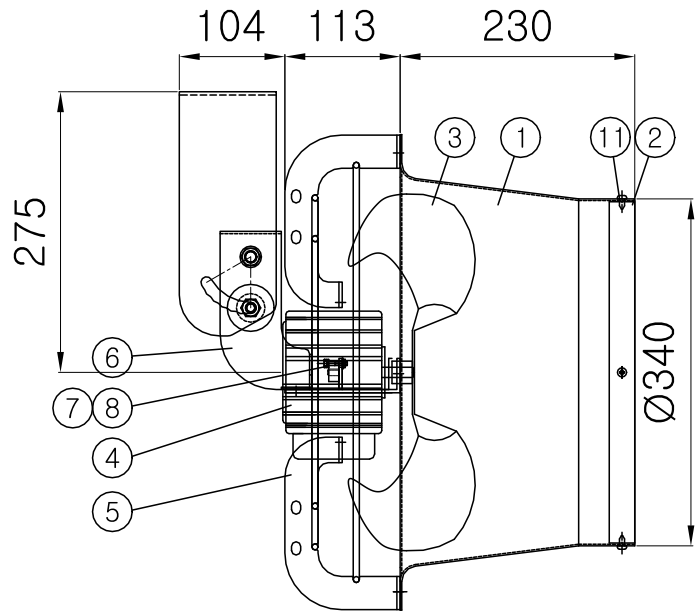


ITEM	Location	-	
	Service	-	
	Equip No.	-	
	Fan Model	DR-SF350DTC	
F A N		MOTOR (60Hz)	
AIR VOLUME	-	m ³ /min	POWER 119 Kw
STATIC PRESSURE	SUC	-	VOLTAGE 220/380 V
	DIS	-	PHASE 3 Ph
OPERATING FLUID AIR	(At)20°C		POLSE 4 P
REVOLUTION	1720	R.P.M	REVOLUTION 1720 R.P.M
BEARING	in side	-	fan ty-p -
	out side	-	motor ty-p -
COLOR	casing	-	
	belt cover	-	
QUANTITY	-	EA	V-VELT LENGTH -



7	-	-	-	-	-
6	-	-	-	-	-
5	-	-	-	-	-
4	-	-	-	-	-
3	Motor			1	
2	Impeller	SPCC		1	
1	Casing	SPCC		1	
ITEM NO.	NOMENCLATURE	MATERIAL	SIZE	QUANT	REMARK

					대륜산업(주)			Air Circulation Fan		
SCALE	DWG. BY	DES'N BY	CH'D BY	APPROVE	PROJECT	-				
UNIT	-				CUSTOMER	-				
NO.	DATE	REVISION & DESCRIPTION	REVIEWED	CHECKED	DWG DATE :	2020.07.24	DWG CODE	-		