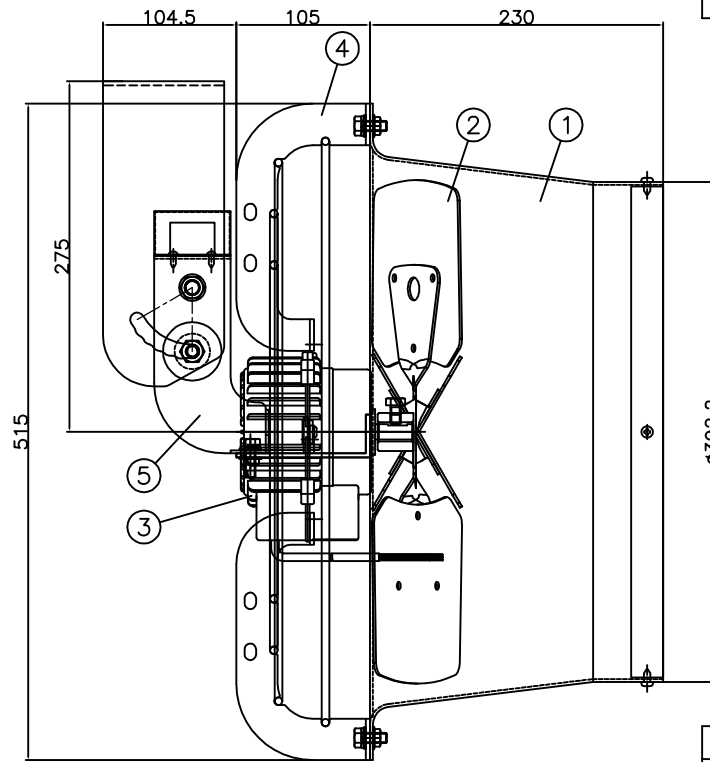
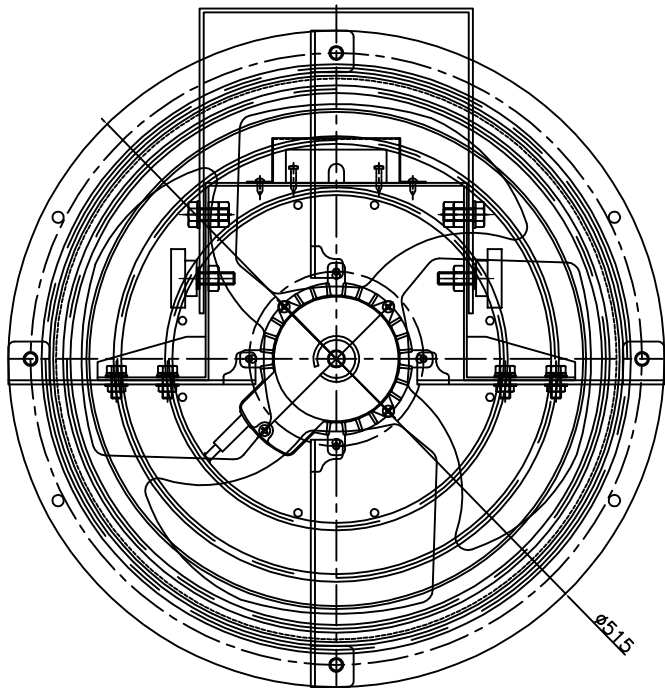


ITEM	Location	-	
	Service	-	
	Equip No.	1	
	Fan Model	DR-SF400DTC	
F A N		MOTOR ( Hz)60	
AIR VOLUME	- m <sup>3</sup> /min	POWER	- Kw
STATIC PRESSURE	SUC - mmAq	VOLTAGE	- V
	DIS - mmAq	PHASE	3 Ph
OPERATING FLUID AIR (At)20°C		POLSE	4 P
REVOLUTION	- R.P.M	REVOLUTION	- R.P.M
BEARING	in side -	PULLEY	fan - ty- p - "
	out side -		motor- ty- p - "
COLOR	casing	-	
	belt cover	-	
QUANTITY	- EA	V-VELT LENGTH	- "



7	-	-	-	-	-
6	-	-	-	-	-
5	Setting Bracket	SS400		1	
4	Motor Support	SS400		1	
3	Motor			1	
2	Impeller	ALDC		1	
1	Casing	CR		1	
ITEM NO.	NOMENCLATURE	MATERIAL	SIZE	QUAN'T	REMARK

		대륜산업(주)		High-pressure multilevel blowers	
SCALE	DWG. BY	DES'N BY	CH'D BY	APPROVE	PROJECT
N/S					-
UNIT					CUSTOMER
mm					-
NO.	DATE	REVISION & DESCRIPTION	REVIEWED	CHECKED	DWG DATE : 2019.09.03
					DWG CODE
					-