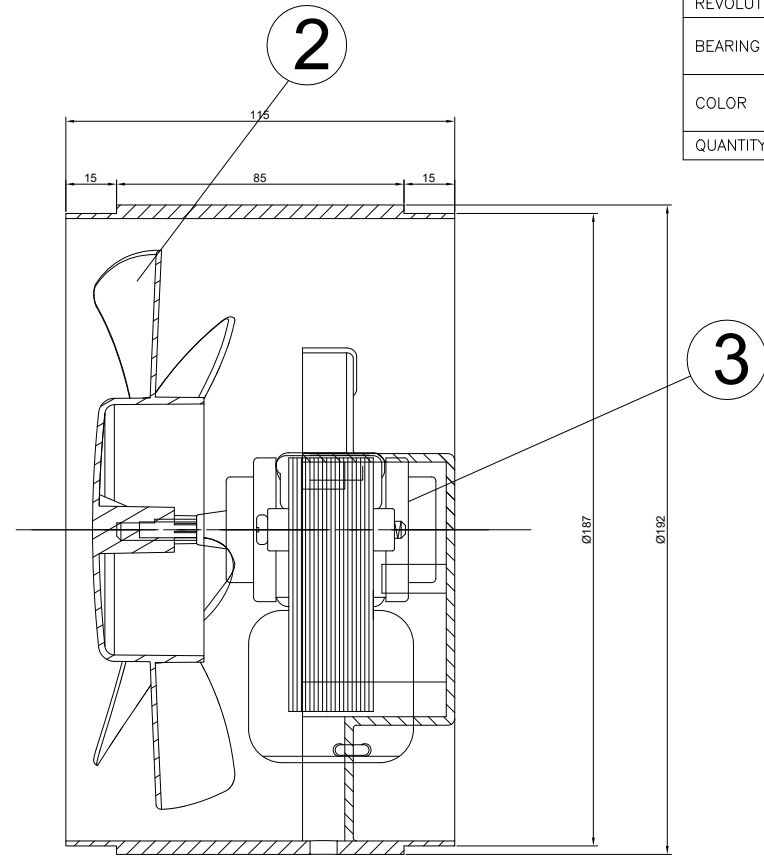
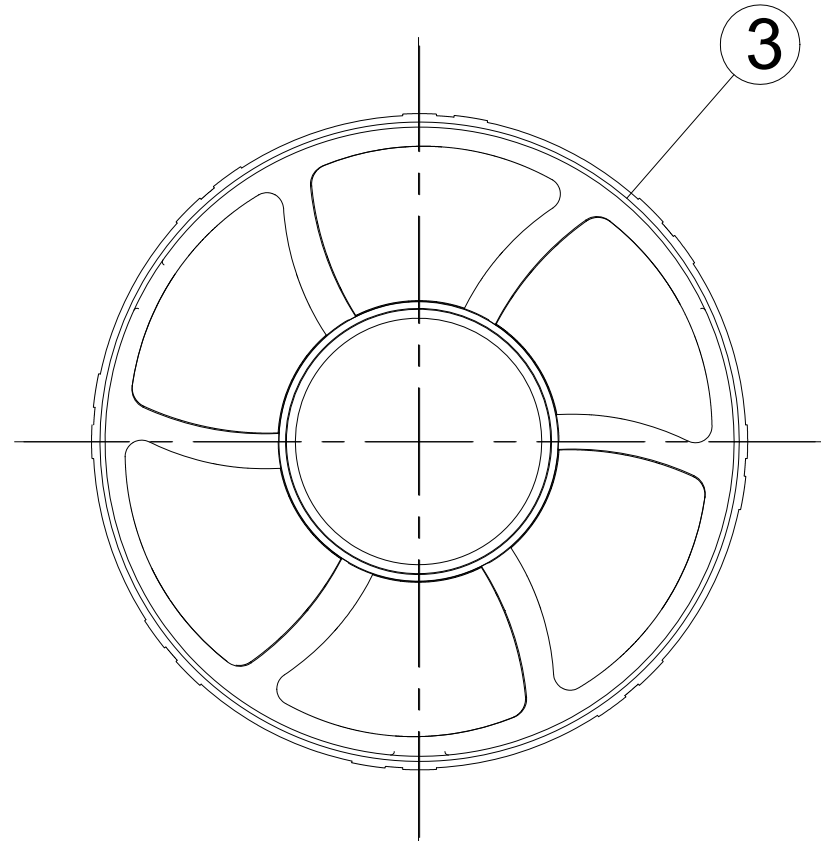


ITEM	Location	-	
	Service	-	
	Equip No.	1	
	Fan Model	DR-E20CSA	
F A N		MOTOR (60 Hz)	
AIR VOLUME	-	m ³ /min	POWER 0.17 Kw
STATIC	SUC	- mmAq	VOLTAGE 220 V
PRESSURE	DIS	- mmAq	PHASE 1 Ph
OPERATING FLUID AIR	(At)	20°C	POLSE 2 P
REVOLUTION	-	R.P.M	REVOLUTION - R.P.M
BEARING	in side	-	PULLEY fan -ty -p - "
	out side	-	
COLOR	casing	-	
	belt cover	-	
QUANTITY	-	EA	V-VELT LENGTH - "



7	-	-	-	-	-
6	-	-	-	-	-
5	-	-	-	-	-
4	-	-	-	-	-
3	Motor			1	
2	Impeller			1	
1	Casing	ABS		1	
ITEM NO.	NOMENCLATURE	MATERIAL	SIZE	QUAN'T	REMARK

				대륜 산업 (주)		High-pressure multilevel blowers	
SCALE	N/S	DWG. BY DES'N BY CH'D BY APPROVE		PROJECT	-		
UNIT	mm	-		CUSTOMER	-		
NO.	DATE	REVISION & DESCRIPTION	REVIEWED	CHECKED	DWG DATE : 2019.09.03	DWG CODE	-