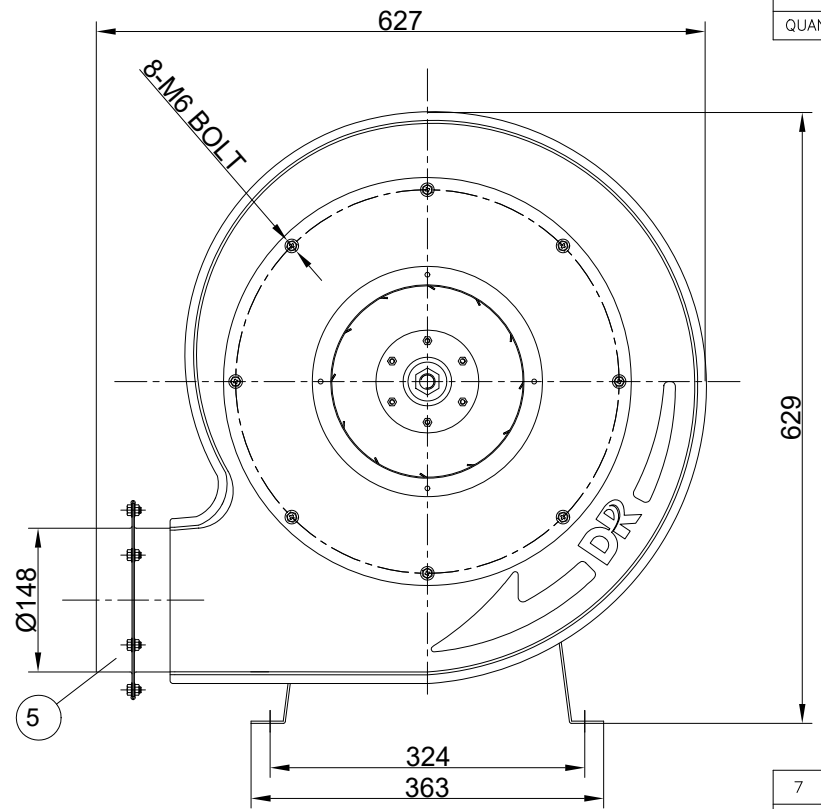
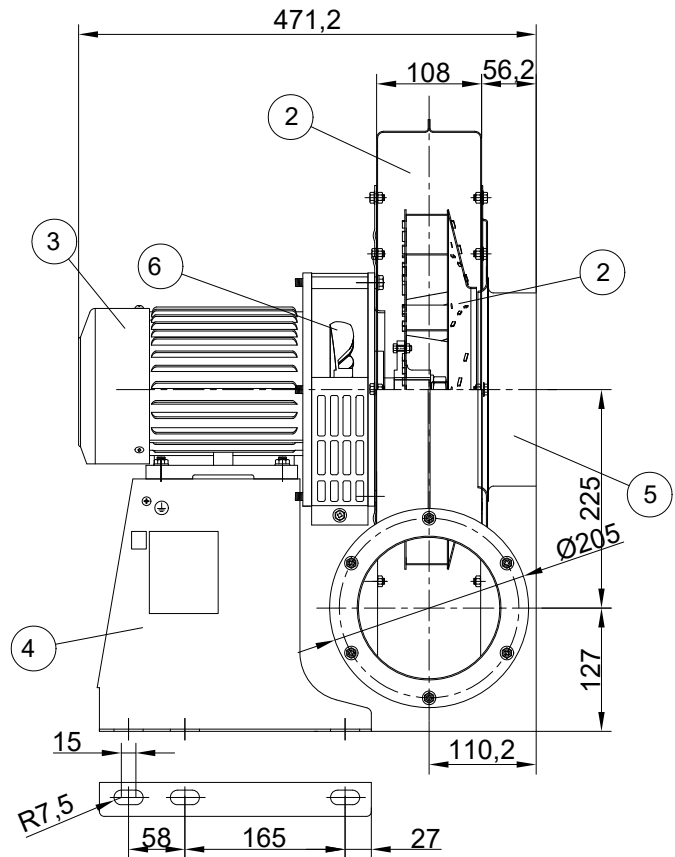


ITEM	Location	-			
	Service	-			
	Equip No.	1			
	Fan Model	DR-TE370TB			
F A N		MOTOR (60 Hz)			
AIR VOLUME	-	m ³ /min	POWER	3.7 Kw	
STATIC	SUC	-	mmAq	VOLTAGE	220/380 V
PRESSURE	DIS	-	mmAq	PHASE	3 Ph
OPERATING FLUID AIR	(At)20°C			POLSE	2 P
REVOLUTION	3505 R.P.M	REVOLUTION	3505 R.P.M		
BEARING	in side	-	PULLEY	fan	- ty - p - "
	out side	-		motor	- ty - p - "
COLOR	casing	-			
	belt cover	-			
QUANTITY	-	EA	V-VELT LENGTH	-	"



7	-			-	
6	Cooling Fan	SWCH10A		1	
5	Duct Flange	CR		2	
4	Motor Support	PO		1	
3	Motor			1	
2	Impeller	CR		1	
1	Casing	SPCEN		1	
ITEM NO.	NOMENCLATURE	MATERIAL	SIZE	QUAN'T	REMARK

						대원산업(주)		High-pressure multilevel blowers	
SCALE	N/S	DWG. BY DES'N		BY CH'D BY		APPROVE		PROJECT	-
UNIT	mm	-		-		-		CUSTOMER	-
NO.	DATE	REVISION & DESCRIPTION		REVIEWED	CHECKED	DWG DATE : 2019.09.03		DWG CODE	-