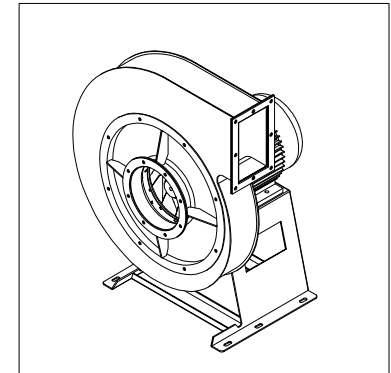
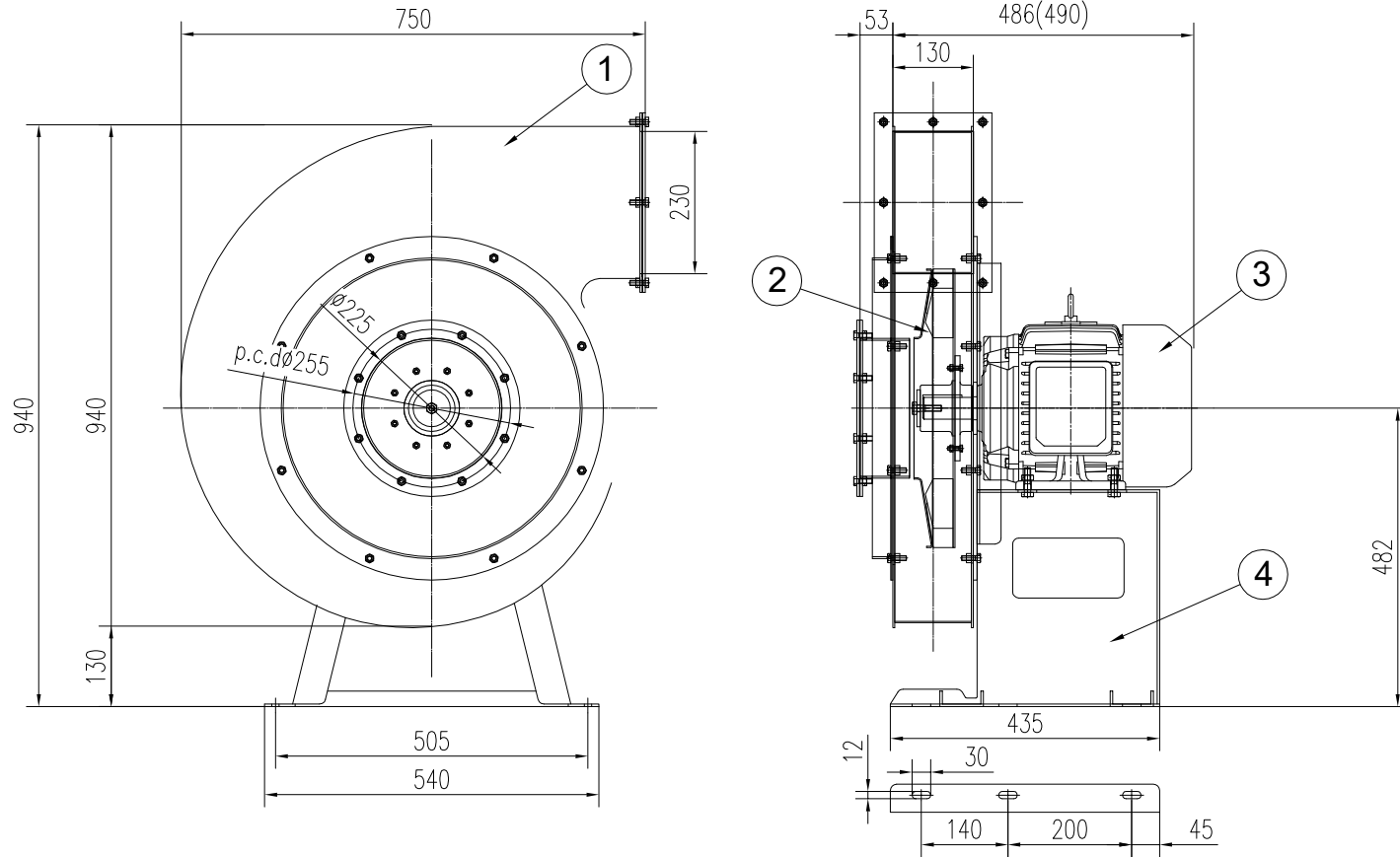


ITEM	Location	-	
	Service	-	
	Equip No.	1	
	Fan Model	DR-TE550TP	
F A N		MOTOR (60 Hz)	
AIR VOLUME	- m ³ /min	POWER	5.5 Kw
STATIC PRESSURE	SUC - mmAq	VOLTAGE	380 V
	DIS - mmAq	PHASE	3 Ph
OPERATING FLUID AIR	(At)20°C	POLSE	2 P
REVOLUTION	- R.P.M	REVOLUTION	- R.P.M
BEARING	in side -	PULLEY	fan - ty- p - "
	out side -		motor- ty- p - "
COLOR	casing	-	
	belt cover	-	
QUANTITY	- EA	V-VELT LENGTH	- "



7	-				
6	-				
5	-				
4	Motor Support	SUS304		1	
3	Motor			1	
2	Impeller	SUS304		1	
1	Casing	SUS304		1	
ITEM NO.	NOMENCLATURE	MATERIAL	SIZE	QUAN'T	REMARK

		대륜 산업 (주)		High-pressure multilevel blowers	
SCALE	DWG. BY	DES'N BY	CH'D BY	APPROVE	PROJECT
N/S	-				-
UNIT					CUSTOMER
mm					-
NO.	DATE	REVISION & DESCRIPTION	REVIEWED	CHECKED	DWG DATE : 2019.09.03
					DWG CODE
					-