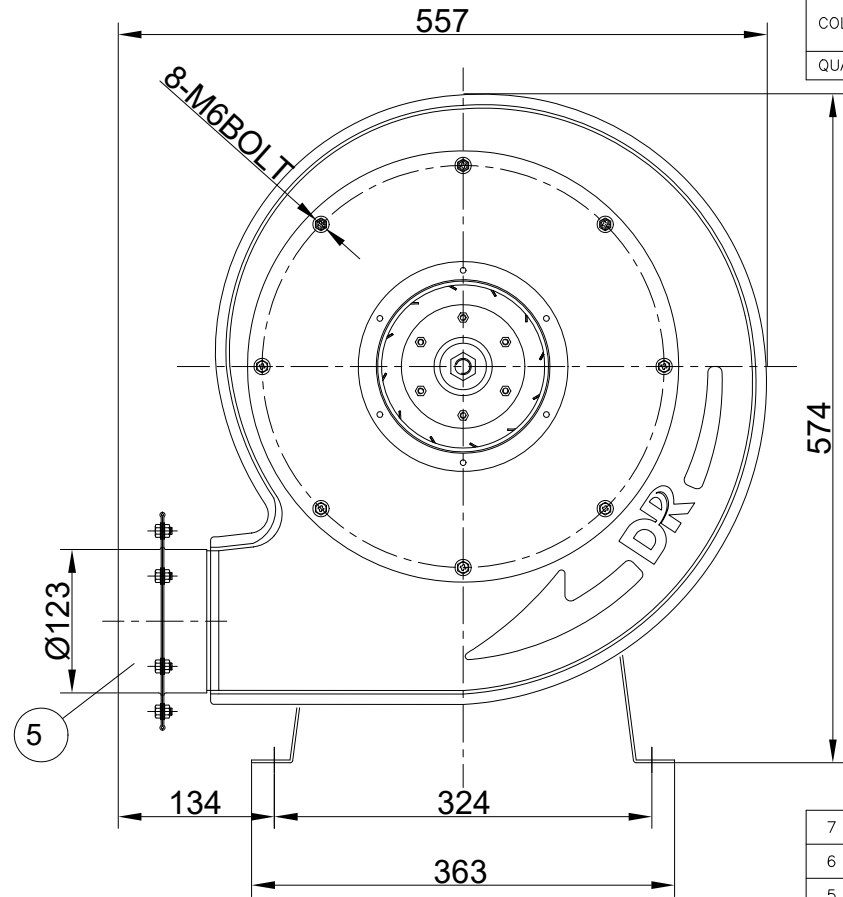
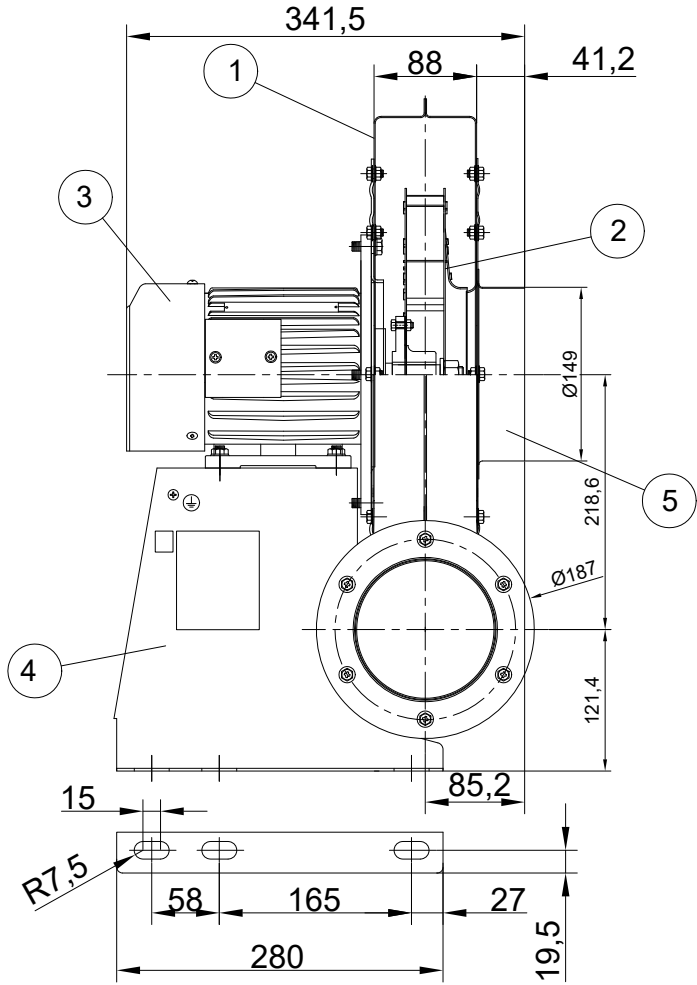


ITEM	Location	-	
	Service	-	
	Equip No.	1	
	Fan Model	DR-TE75TA	
F A N		MOTOR (60 Hz)	
AIR VOLUME	-	m ³ /min	POWER 0.75 Kw
STATIC	SUC	- mmAq	VOLTAGE 440 V
PRESSURE	DIS	- mmAq	PHASE 3 Ph
OPERATING FLUID AIR	(At)	20°C	POLSE 2 P
REVOLUTION	3375 R.P.M	REVOLUTION	3375 R.P.M
BEARING	in side	-	PULLEY fan -ty -p - "
	out side	-	
COLOR	casing	-	
	belt cover	-	
QUANTITY	- EA	V-VELT LENGTH	- "



7	-	-	-	-	-
6	-	-	-	-	-
5	Duct Flange	CR		2	
4	Motor Support	CR		1	
3	Motor			1	
2	Impeller	CR		1	
1	Casing	SPCEN		1	
ITEM NO.	NOMENCLATURE	MATERIAL	SIZE	QUAN'T	REMARK

		대륜 산업 (주)		High-pressure multilevel blowers	
SCALE	N/S	DWG. BY	DES'N BY	CH'D BY	APPROVE
UNIT	mm	-	-	-	-
NO.	DATE	REVISION & DESCRIPTION	REVIEWED	CHECKED	DWG DATE : 2019.09.03
					DWG CODE -