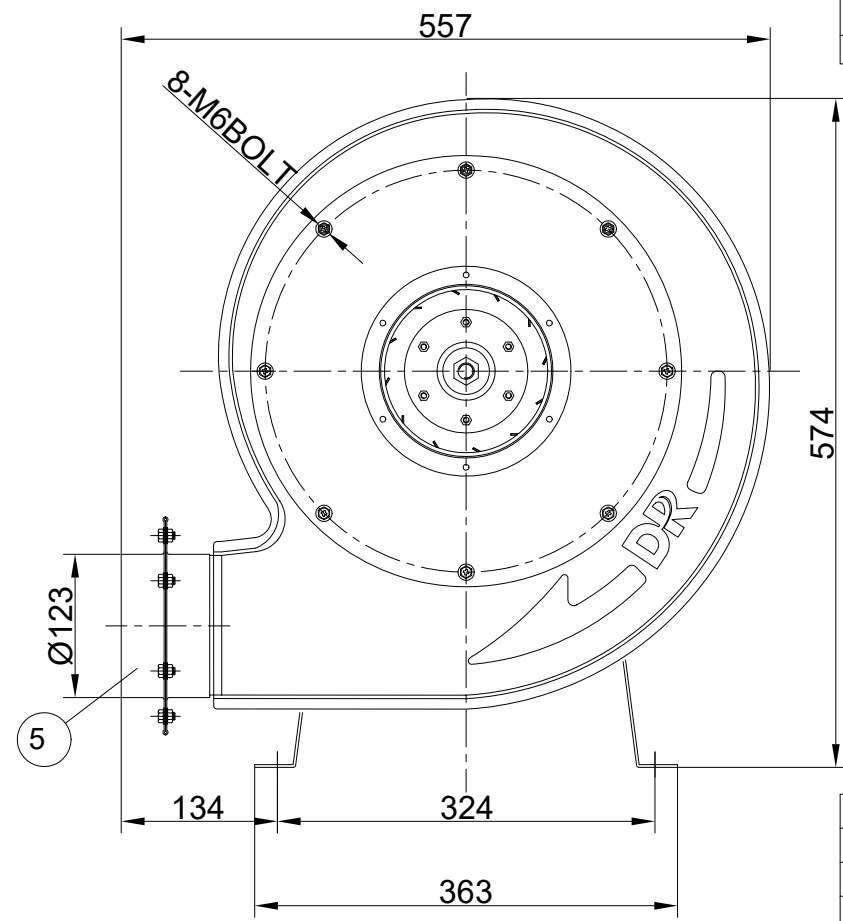
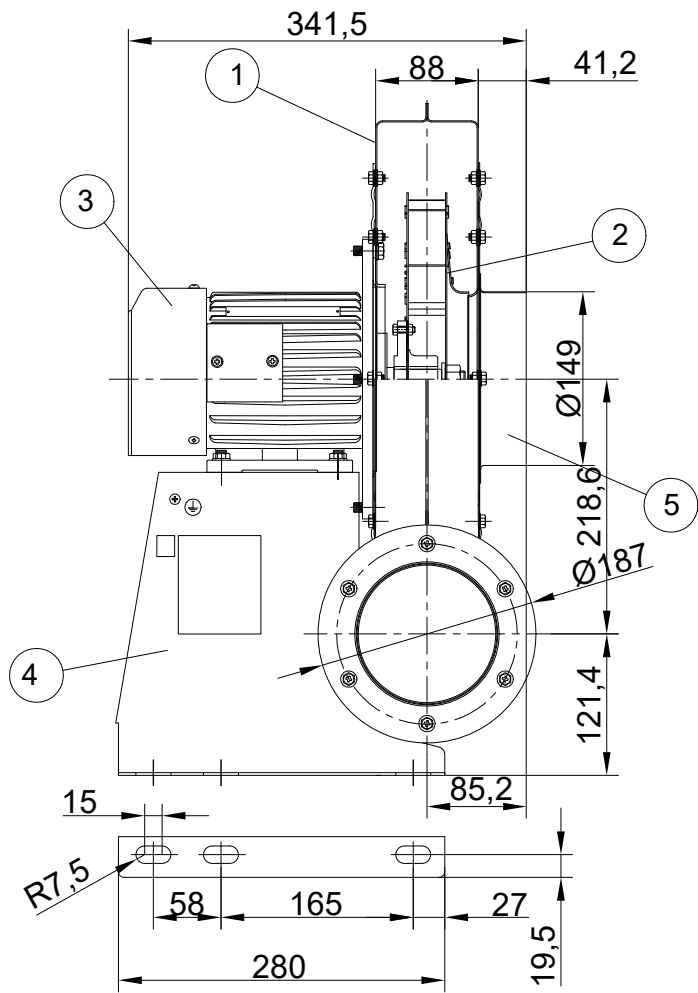


ITEM	Location	-	
	Service	-	
	Equip No.	1	
	Fan Model	DR-TE75TC	
F A N		MOTOR ( 60 Hz)	
AIR VOLUME	-	m <sup>3</sup> /min	POWER 0.75 Kw
STATIC	SUC	- mmAq	VOLTAGE 220/380 V
PRESSURE	DIS	- mmAq	PHASE 3 Ph
OPERATING FLUID AIR	(At)20°C		POLSE 2 P
REVOLUTION	3420 R.P.M	REVOLUTION	3420 R.P.M
BEARING	in side	-	PULLEY fan -ty -p - "
	out side	-	
COLOR	casing	-	
	belt cover	-	
QUANTITY	- EA	V-VELT LENGTH	- "



7	-			-	
6	-			-	
5	Duct Flange	CR		2	
4	Motor Support	PO		1	
3	Motor			1	
2	Impeller	CR		1	
1	Casing	SPCEN		1	
ITEM NO.	NOMENCLATURE	MATERIAL	SIZE	QUAN'T	REMARK

		대륜산업(주)		High-pressure multilevel blowers	
SCALE	N/S	DWG. BY	DES'N BY	CH'D BY	APPROVE
UNIT	mm	-			
PROJECT	-	CUSTOMER	-	DWG DATE	2019.09.03
DWG CODE	-				
NO.	DATE	REVISION & DESCRIPTION	REVIEWED	CHECKED	